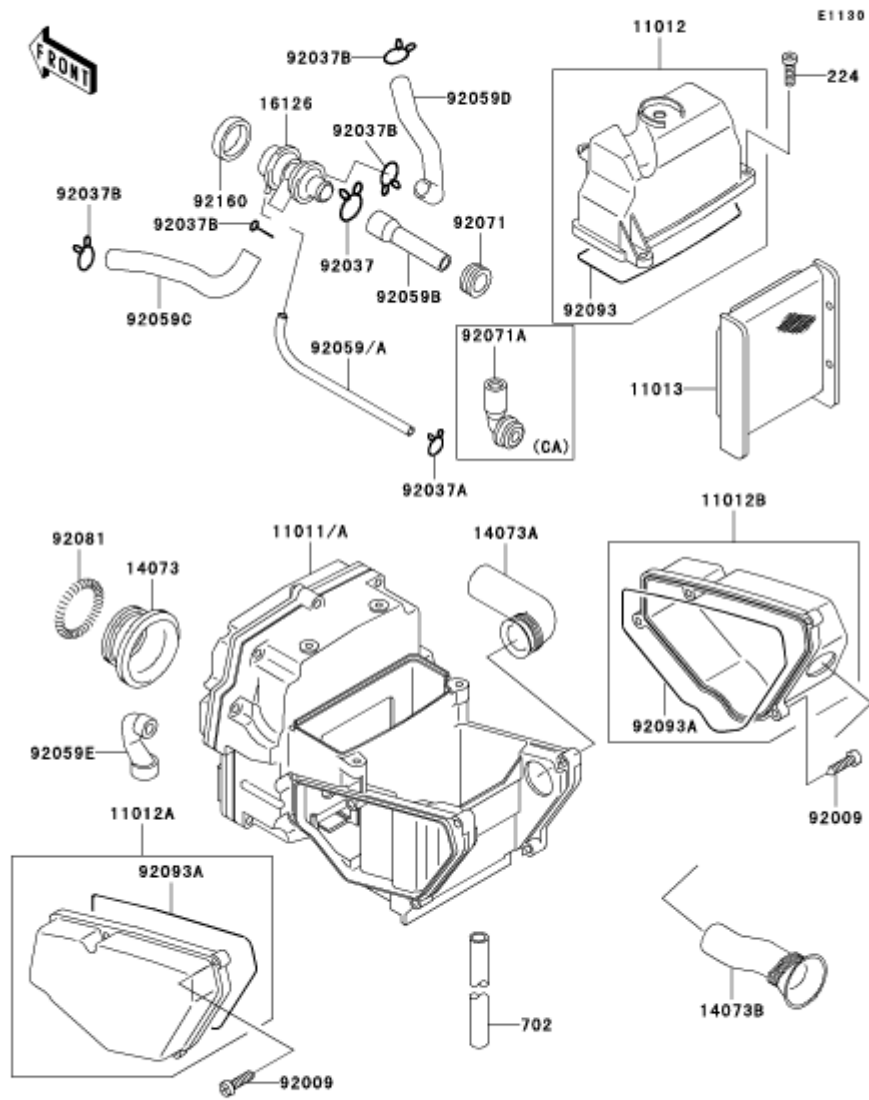


# AIR CLEANER

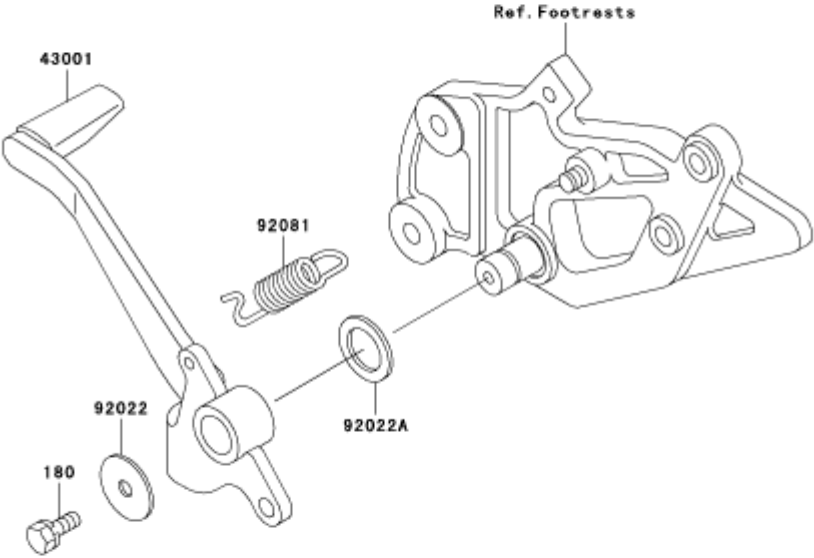


## AIR CLEANER (continued)

Ref #	Part #	Description	Qty	Spec Code
224	224B0620	SCREW-PAN-WP-CROS	4	
702	702A05350	TUBE-RUBBER,5X350	1	
11011	11011-1268	CASE-AIRFILTER	1	[CN,US]
11011A	11011-1269	CASE-AIRFILTER	1	[CA]
11012	11012-1571	CAP,AIRFILTERCASE,UPP	1	
11012A	11012-1608	CAP,AIRFILTER,LH	1	
11012B	11012-1609	CAP,AIRFILTER,RH	1	
11013	11013-1252	ELEMENT-AIRFILTER	1	
14073	14073-1292	DUCT,CARBURATOR	2	
14073A	14073-1293	DUCT,INTAKE	1	
14073B	14073-1295	DUCT	1	
16126	16126-1005	VALVE,AIRSWITCH	1	
92009	92009-1488	SCREW,TAPPING,5X30	12	
92037	92037-1076	CLAMP,TUBE	1	
92037A	92037-1712	CLAMP	1	
92037B	92037-213	CLAMP,TUBE	4	
92059	92059-1043	TUBE,4X9X290	1	[CN,US]
92059A	92059-1131	TUBE,4X9X110	1	[CA]
92059B	92059-1770	TUBE,AIRFILTER-ACV	1	
92059C	92059-1771	TUBE,AIRSWITCH,LH	1	
92059D	92059-1772	TUBE,AIRSWITCH,RH	1	
92059E	92059-1773	TUBE,BREATHER	1	
92071	92071-1028	GROMMET,AIRFILTER	1	
92071A	92071-1114	GROMMET,AIRFILTER	1	[CA]
92081	92081-1457	SPRING,COIL,BLACK	2	
92093	92093-1233	SEAL,AIRFILTERCAP	1	
92093A	92093-1234	SEAL,AIRFILTER	2	
92160	92160-1454	DAMPER,VALVE	1	

# BRAKE PEDAL/TORQUE LINK

F2260

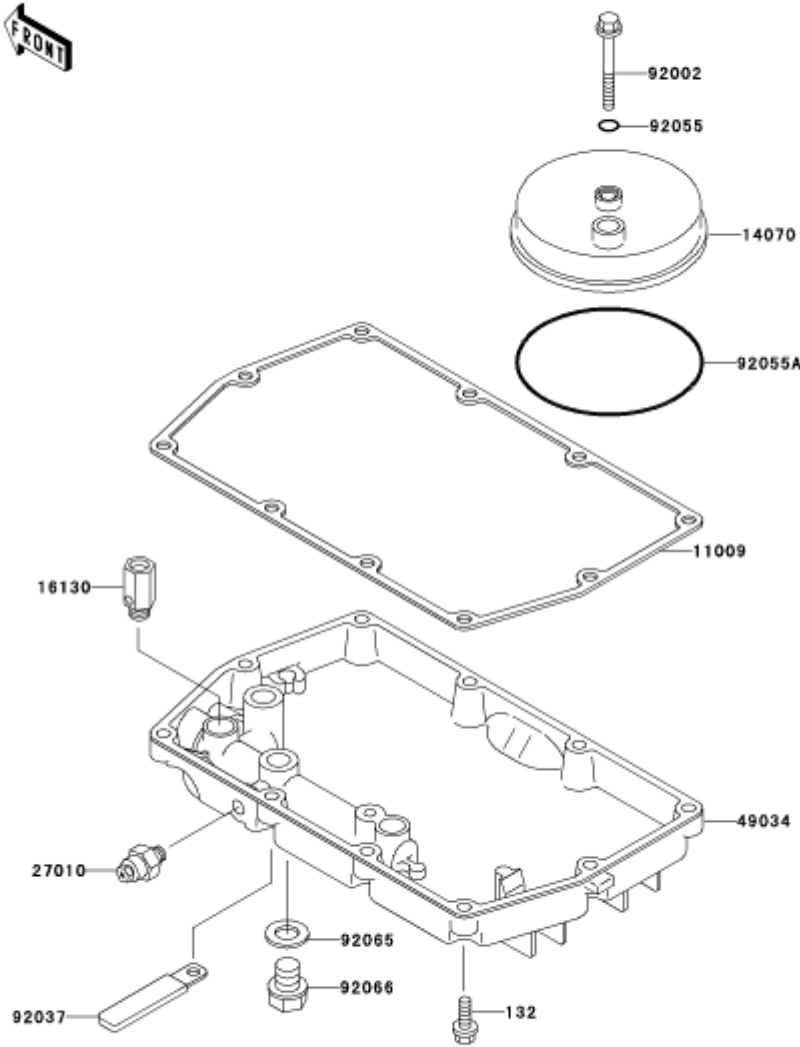


## BRAKE PEDAL/TORQUE LINK (continued)

Ref #	Part #	Description	Qty	Spec Code
180	180D0616	BOLT-UPSET-WS	1	
43001	43001-1355	LEVER-BRAKE,PEDAL	1	
92022	92022-1282	WASHER,7X28X1.6	1	
92022A	92022-326	WASHER,15.3X24X1	1	
92081	92081-1833	SPRING,BRAKEPEDAL	1	

# BREATHER COVER/OIL PAN

E1432

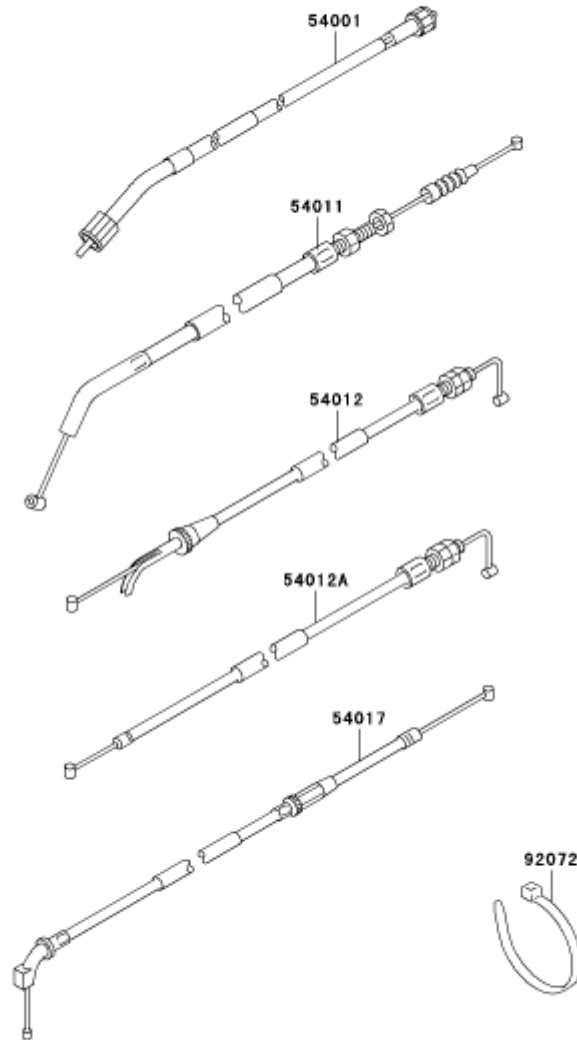


## BREATHER COVER/OIL PAN (continued)

Ref #	Part #	Description	Qty	Spec Code
132	132Y0625	BOLT-FLANGED-SMALL	10	
11009	11009-1837	GASKET,OILPAN	1	
14070	14070-1067	BODY-BREATHER	1	
16130	16130-1001	VALVE-ASSY-RELIEF	1	
27010	27010-1313	SWITCH,OILPRESSURE	1	
49034	49034-1108	PAN-OIL	1	
92002	92002-1069	BOLT,6X45	1	
92037	92037-1679	CLAMP	1	
92055	92055-1089	RING-O,6MM	1	
92055A	92055-1284	RING-O,BREATHERBODY	1	
92065	92065-097	GASKET,12X22X2,DRAINPLUG	1	
92066	92066-1174	PLUG,OILDRAIN,12X15	1	

# CABLES

F2540

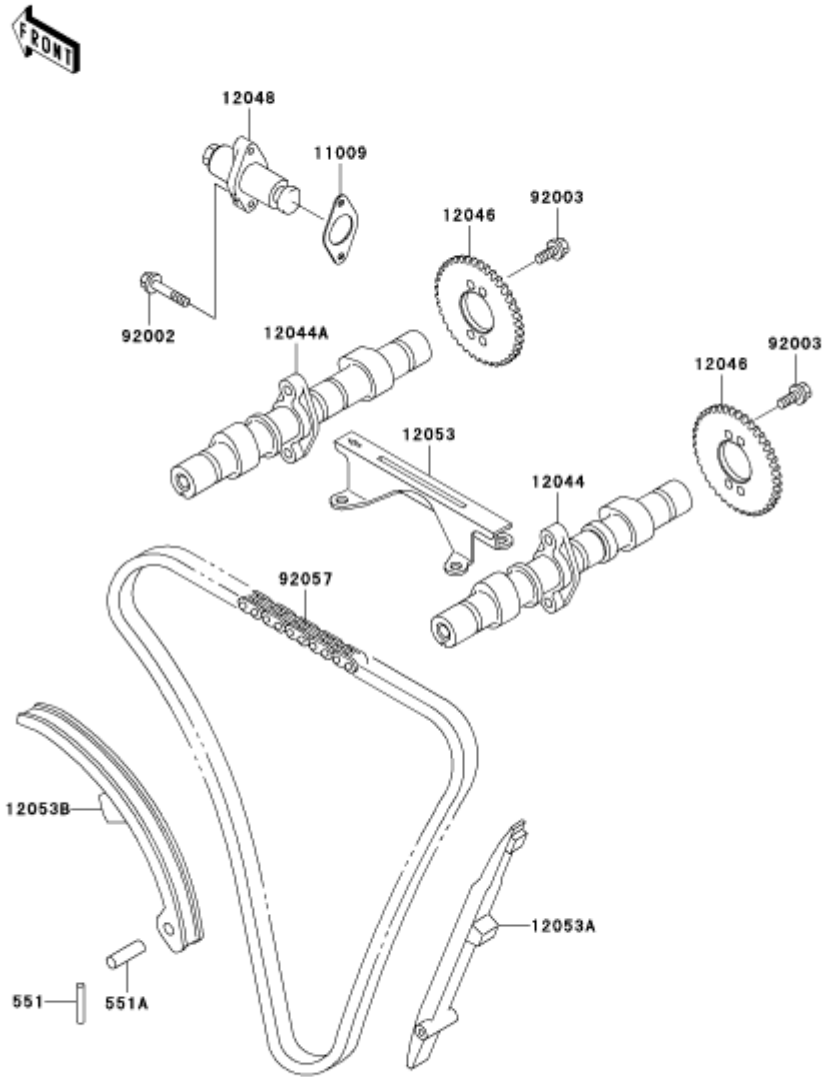


## CABLES (continued)

Ref #	Part #	Description	Qty	Spec Code
54001	54001-1123	CABLE-SPEEDOMETER	1	
54011	54011-1340	CABLE-CLUTCH	1	
54012	54012-1334	CABLE-THROTTLE,OPENING	1	
54012A	54012-1492	CABLE-THROTTLE,CLOSING	1	
54017	54017-1092	CABLE-STARTER	1	
92072	92072-1195	BAND,L=202	1	

# CAMSHAFT(S)/TENSIONER

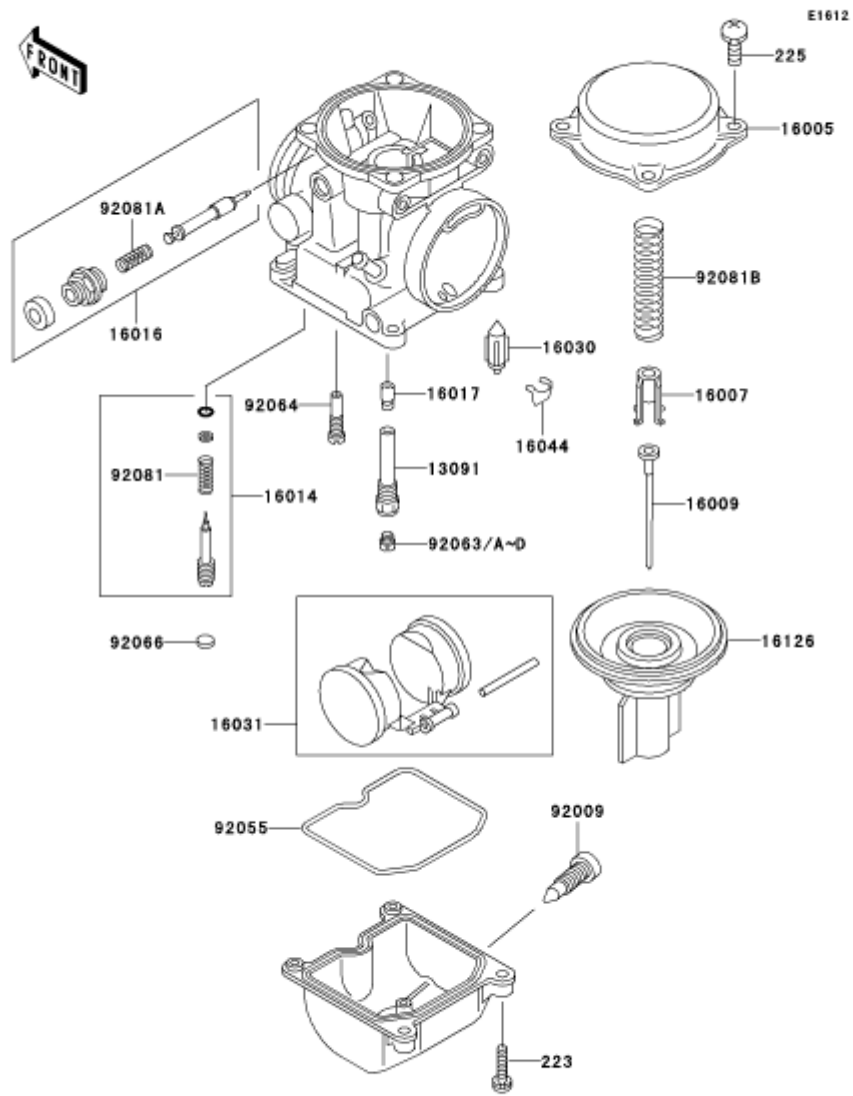
E1230



## CAMSHAFT(S)/TENSIONER (continued)

Ref #	Part #	Description	Qty	Spec Code
551	551A0432	PIN-DOWEL	1	
551A	551A0840	PIN-DOWEL,8X40	1	
11009	11009-1858	GASKET,TENSIONER	1	
12044	12044-1198	CAMSHAFT-VALVE,INTAKE	1	
12044A	12044-1199	CAMSHAFT-VALVE,EXHAUST	1	
12046	12046-1075	SPROCKET,CAMSHAFT,46T	2	
12048	12048-1141	TENSIONER-ASSY,CAMCHAIN	1	
12053	12053-1145	GUIDE-CHAIN,UPP	1	
12053A	12053-1150	GUIDE-CHAIN,RR	1	
12053B	12053-1151	GUIDE-CHAIN,FR	1	
92002	92002-1086	BOLT,6X25	2	
92003	92003-208	BOLT,FLANGED,6X11	4	
92057	92057-1188	CHAIN,CAM,79RH2015-148L	1	

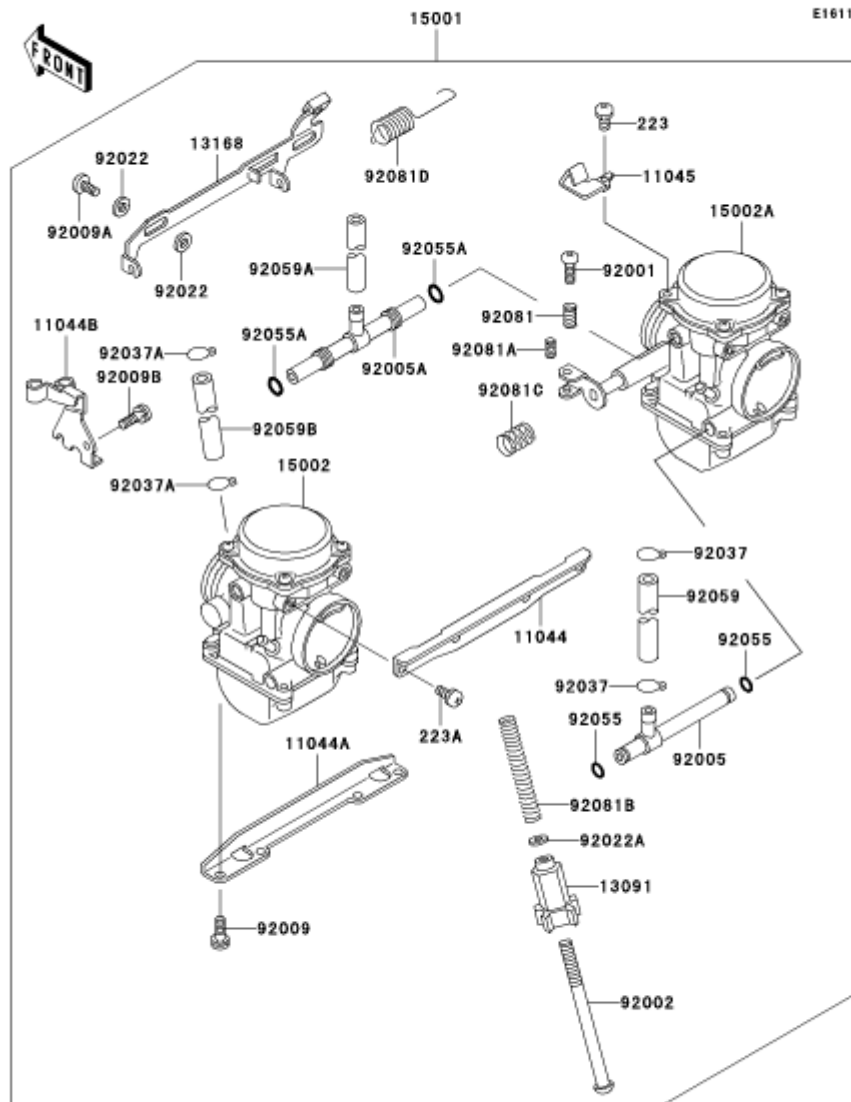
# CARBURETOR PARTS



## CARBURETOR PARTS (continued)

Ref #	Part #	Description	Qty	Spec Code
223	223C0416	SCREW-PAN-WS-CROS	8	
225	225C0418	SCREW-PAN-WSP-CROS	7	
13091	13091-1406	HOLDER,NEEDLEJET	2	
16005	16005-1057	TOP-CHAMBER,MIXING,27/60	2	
16007	16007-1117	SEAT-SPRING,VALVE	2	
16009	16009-1342	NEEDLE-JET,N36N	2	
16014	16014-1081	SCREW-PILOTAIR	2	
16016	16016-1090	PLUNGER,STARTER	2	
16017	16017-1059	JET-NEEDLE	2	
16030	16030-1007	VALVE-FLOAT	2	
16031	16031-1077	FLOAT	2	
16044	16044-007	CLAMP,FLOATVALVE	2	
16126	16126-1173	VALVE,VACUUM,60PS	2	
92009	92009-1551	SCREW,DRAIN,M6X0.75	2	
92055	92055-1222	RING-O,FLOATCHAMBER	2	
92063	92063-1014	JET-MAIN,#135	2	(RACINGUSEONLY)
92063A	92063-1069	JET-MAIN,#125	2	(RACINGUSEONLY)
92063B	92063-1074	JET-MAIN,#128	2	(RACINGUSEONLY)
92063C	92063-1075	JET-MAIN,#130	2	
92063D	92063-1076	JET-MAIN,#132	2	(RACINGUSEONLY)
92064	92064-1101	JET-PILOT,#35	2	
92066	92066-1051	PLUG,PILOTAIRSCREW,6.9X2	2	
92081	92081-1002	SPRING,PILOTADJUSTSCREW	2	
92081A	92081-1761	SPRING,STARTERPLUNGER	2	
92081B	92081-1874	SPRING,VACUUMVALVE	2	

# CARBURETOR



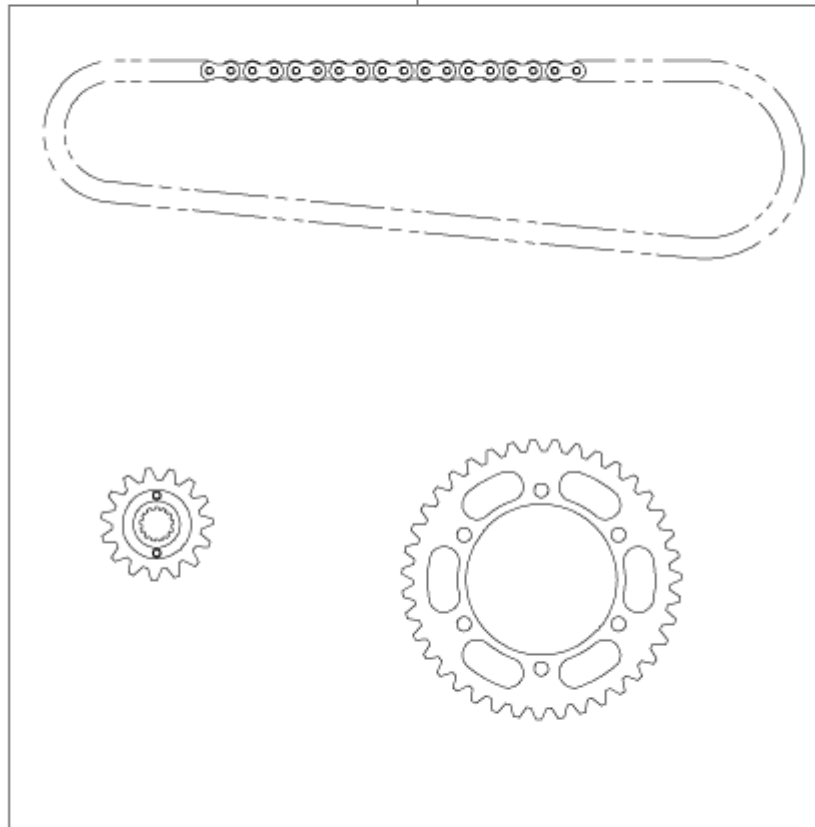
## CARBURETOR (continued)

Ref #	Part #	Description	Qty	Spec Code
223	223C0420	SCREW-PAN-WS-CROS	1	
223A	223C0510	SCREW-PAN-WS-CROS	4	
11044	11044-1313	BRACKET,CARBURETORSTAY,UPP	1	
11044A	11044-1314	BRACKET,CARBURETORSTAY,6MM	1	
11044B	11044-1546	BRACKET,THROTTLECABLE	1	
11045	11045-1824	BRACKET,STARTERLEVER	1	
13091	13091-1382	HOLDER,THROTTLESTOPSCREW	1	
13168	13168-1360	LEVER	1	
15001	15001-1334	CARBURETOR-ASSY	1	
15002	15002-1492	CARBURETOR,LH	1	
15002A	15002-1493	CARBURETOR,RH	1	
92001	92001-1998	BOLT,THROTTLEADJUST	1	
92002	92002-1552	BOLT,THROTTLESTOPSCREW	1	
92005	92005-1133	FITTING	1	
92005A	92005-1134	FITTING	1	
92009	92009-1129	SCREW,6X16	4	
92009A	92009-1262	SCREW	2	
92009B	92009-1365	SCREW,5X10	1	
92022	92022-1199	WASHER,6.1X11X0.8,POLYACETAL	4	
92022A	92022-1480	WASHER,PLAIN,STOPSPRING	1	
92037	92037-1075	CLAMP,FUELTUBE	2	
92037A	92037-1477	CLAMP,TUBE	2	
92055	92055-1004	RING-O	2	
92055A	92055-1223	RING-O,FUELFITTING	2	
92059	92059-1236	TUBE,FUEL,7.3X12.5X220	1	
92059A	92059-1465	TUBE,6.5X9.5X500	1	
92059B	92059-1634	TUBE,5X9X140	1	
92081	92081-1620	SPRING,THROTTLEADJUSTUPP	1	
92081A	92081-1621	SPRING,THROTTLEADJUSTLWR	1	
92081B	92081-1875	SPRING,THROTTLESTOPSCREW	1	
92081C	92081-1876	SPRING	1	
92081D	92081-1893	SPRING,STARTERLEVER	1	

# CHAIN KIT

F2887

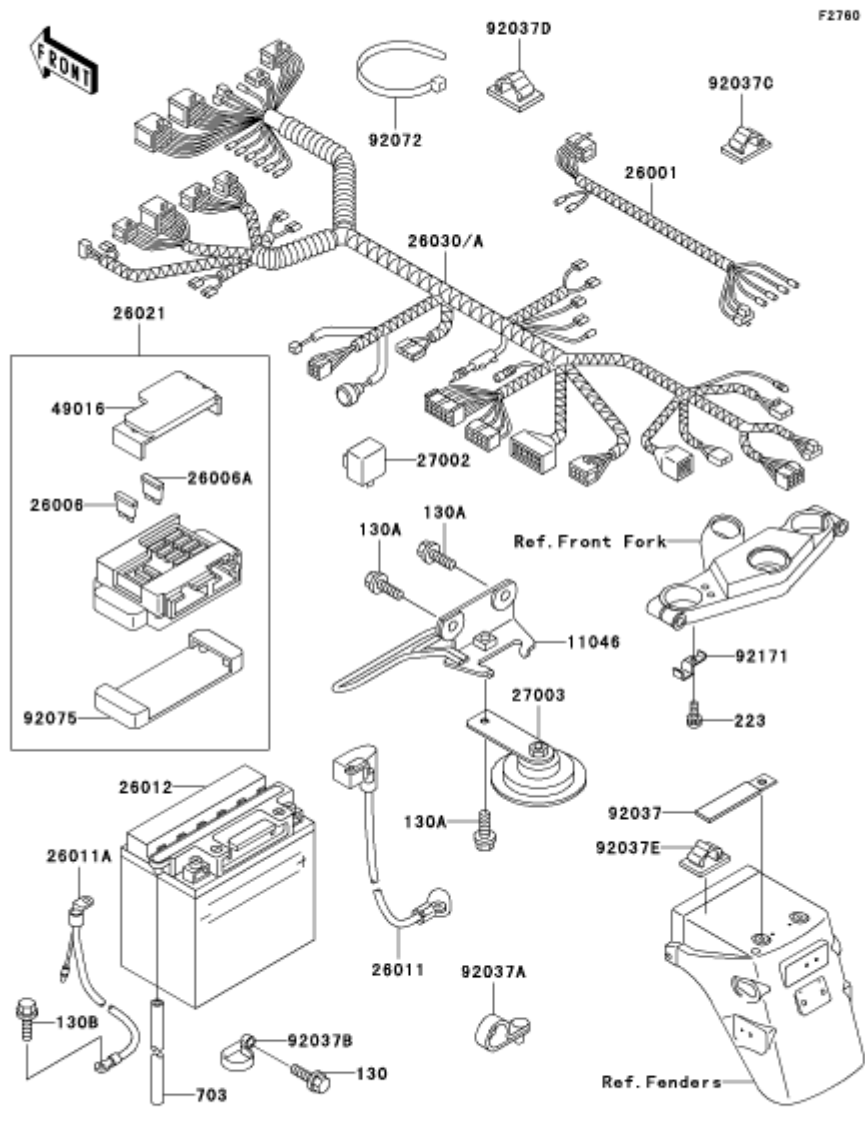
99996



## CHAIN KIT (continued)

Ref #	Part #	Description	Qty	Spec Code
99996	99996-1209	CHAINKIT,16TX41TX104L	1	

# CHASSIS ELECTRICAL EQUIPMENT



## CHASSIS ELECTRICAL EQUIPMENT (continued)

Ref #	Part #	Description	Qty	Spec Code
130	130B0610	BOLT-FLANGED,6X10	1	
130A	130J0612	BOLT-FLANGED	3	
130B	130V0610	BOLT-FLANGED,6X10	1	
223	223C0610	SCREW-PAN-WS-CROS	1	
703	703A08530	TUBE-RUBBER,8X12X530	1	
11046	11046-1233	BRACKET,HORN&amCABLE	1	
26001	26001-1859	HARNESS,FRONTSIGNALLAMP	1	
26006	26006-1067	FUSE,30A-G	1	
26006A	26006-1068	FUSE,10A-R	8	
26011	26011-1388	WIRE-LEAD,BATTERY(+)	1	
26011A	26011-1389	WIRE-LEAD,BATTERY(-)	1	
26012	26012-1349	BATTERY,FB14L-A2,12V14AH	1	
26021	26021-1089	JUNCTIONBOX	1	
26030A	26030-1733	HARNESS,MAIN	1	
27002	27002-1101	RELAY-ASSY,TURNSIGNAL	1	
27003	27003-1288	HORN	1	
49016	49016-1177	COVER-SEAL,FUSE	1	
92037	92037-1069	CLAMP,WIRINGHARNESS,L=60	1	
92037A	92037-1163	CLAMP,SPEED,L=58	1	
92037B	92037-1727	CLAMP,HOSE	1	
92037C	92037-1793	CLAMP,HARNESS	2	
92037D	92037-1794	CLAMP,TUBE	1	
92037E	92037-1816	CLAMP,HARNESS	1	
92072	92072-1195	BAND,L=202	9	
92075	92075-1688	DAMPER,JUNCTIONBOX	1	
92171	92171-1199	CLAMP,HARNESS	1	

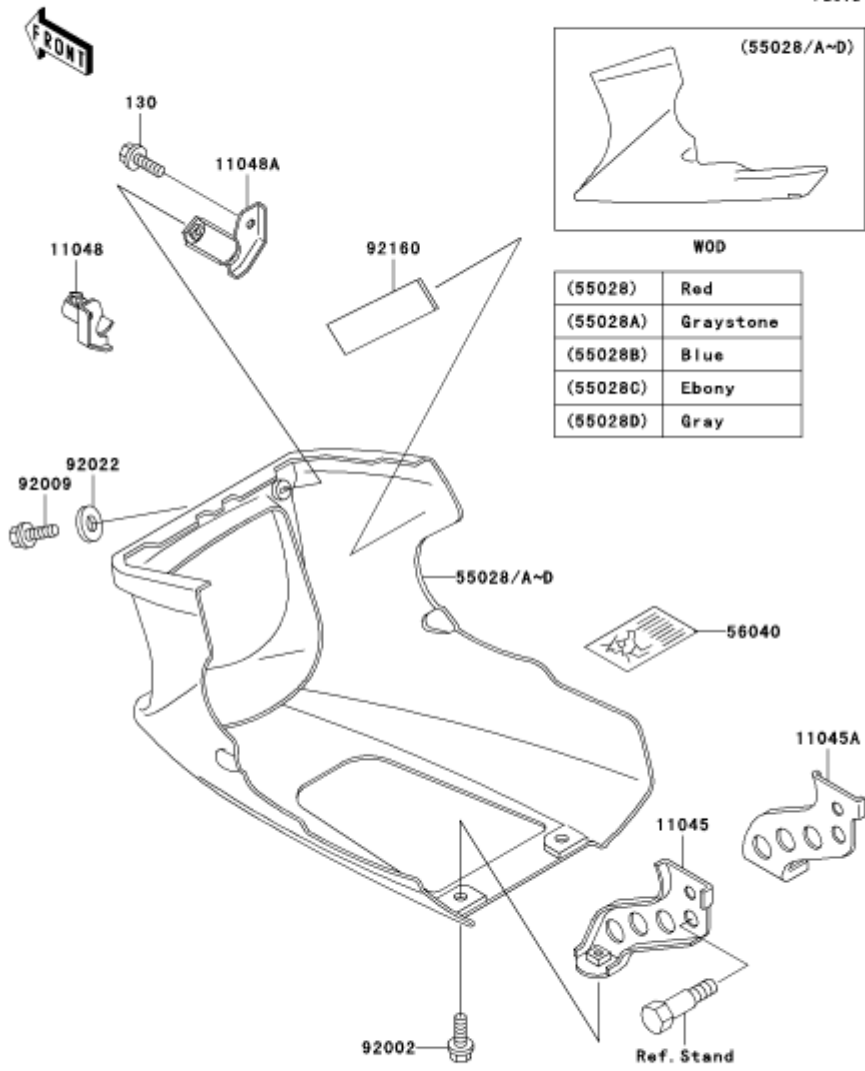


## CLUTCH (continued)

Ref #	Part #	Description	Qty	Spec Code
13087	13087-1162	HUB-CLUTCH	1	
13088	13088-1013	PLATE-FRICTION	7	
13089	13089-026	PLATE-CLUTCH,T=2.0	6	
13095	13095-1158	HOUSING-COMP-CLUTCH	1	
13102	13102-1087	RELEASE-COMP-CLUTCH	1	
13187	13187-1087	PLATE-CLUTCHOPERATING	1	
13216	13216-1066	GEAR-COMP,40T	1	
46102	46102-1134	ROD,CLUTCH	1	
92001	92001-1066	BOLT,FLANGED,6X18	5	
92015	92015-1555	NUT,20MM	1	
92022	92022-1116	WASHER,20.3X36X2.3	1	
92026	92026-022	SPACER,25.5X47X2.5	1	
92026A	92026-1242	SPACER	1	
92026B	92026-1243	SPACER,25X30X23.5	1	
92045	92045-1235	BEARING-BALL,6001C3ML01	1	
92057	92057-1229	CHAIN,PRIMARY	1	
92081	92081-1864	SPRING,CLUTCH	5	

# COWLING LOWERS

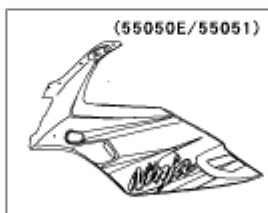
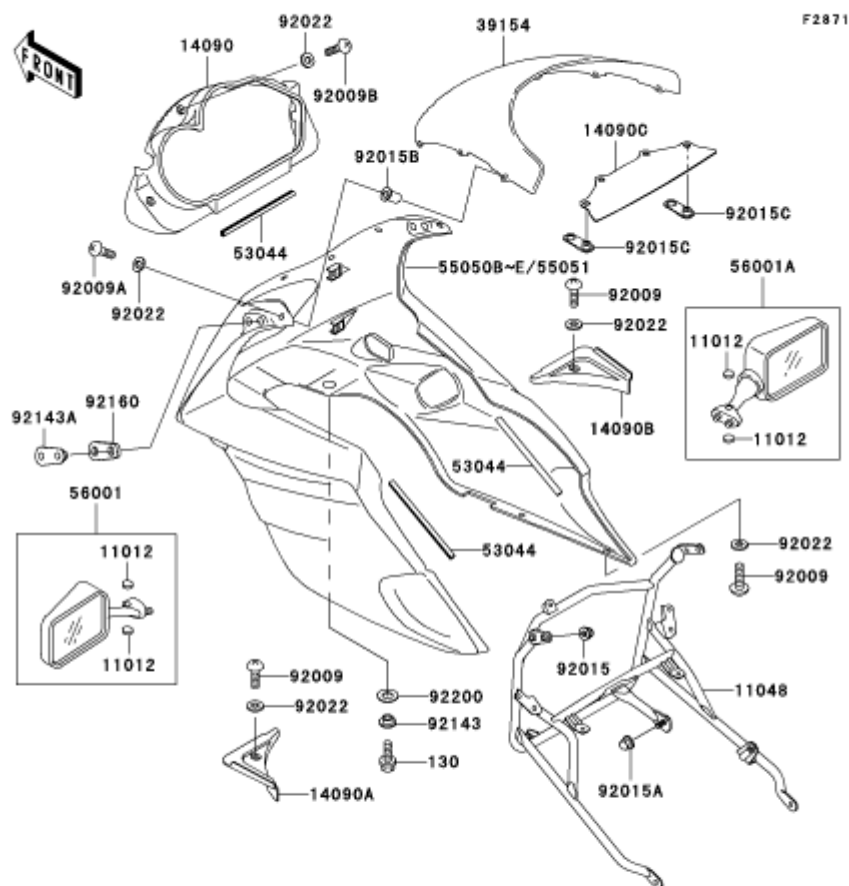
F2872



## COWLING LOWERS (continued)

Ref #	Part #	Description	Qty	Spec Code
11045	11045-1573	BRACKET,LOWERCOWLING,RR,LH	1	(OPTION)
11045A	11045-1574	BRACKET,LOWERCOWLING,RR,RH	1	(OPTION)
11048	11048-1685	BRACKET,LOWERCOWLING,FR,LH	1	(OPTION)
11048A	11048-1686	BRACKET,LOWERCOWLING,FR,RH	1	(OPTION)(OPTION)
55028B	55028-1161-E1	COWLING,LWR,C.L.BLUE	1	
55028C	55028-1161-H8	COWLING,LWR,EBONY	1	[CN](OPTION)
130	130B0610	BOLT-FLANGED,6X10	2	(OPTION)
56040	56040-1251	LABEL-WARNING,LOWERCOWLING	1	
92002	92002-1188	BOLT,6X16	2	(OPTION)
92009	92009-1287	SCREW,6X14,WHITE	2	(OPTION)
92022	92022-1654	WASHER,6.5X16X1.0	2	(OPTION)
92160	92160-1323	DAMPER	1	

# COWLING



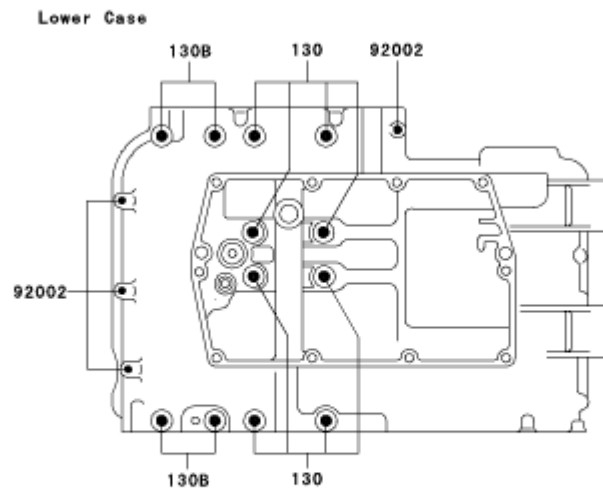
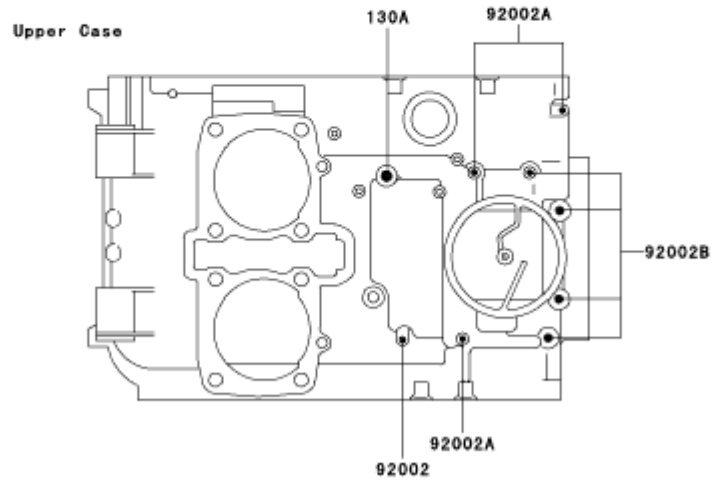
(55050B)	Red
(55050C)	Blue
(55050D)	Ebony
(55050E)	Violet
(55051)	Red

## COWLING (continued)

Ref #	Part #	Description	Qty	Spec Code
11012	11012-1818	CAP,MIRROR	4	
11048	11048-1368	BRACKET,UPPCOWLING	1	
14090	14090-1397	COVER,INNERCOWLING,CNT	1	
14090A	14090-1398	COVER,INNERCOWLING,LH	1	
14090B	14090-1399	COVER,INNERCOWLING,RH	1	
14090C	14090-1488	COVER,WINDSHIELD	1	
39154	39154-1125	WINDSHIELD	1	
53044	53044-1276	TRIM,L=157	3	
55050C	55050-5304-E1	COWLING-ASSY.,UPP,C.L.BLUE	1	
55050D	55050-5331-H8	COWLING-ASSY.,UPP,EBONY	1	[CN]
56001	56001-1376-6C	MIRROR-ASSY,LH,EBONY	1	
56001A	56001-1377-6C	MIRROR-ASSY,RH,EBONY	1	
92009	92009-1479	SCREW,TAPPING,5X15	4	
92009A	92009-1654	SCREW,5X16,BLACK	8	
92009B	92009-1660	SCREW,5X22	3	
92015	92015-1170	NUT,CAP,6MM,BLACK	4	
92015A	92015-1174	NUT,CAP,8MM,BLACK	1	
92015B	92015-1757	NUT,WELL,5MM	6	
92015C	92015-1949	NUT	2	
92022	92022-1521	WASHER,NYLON,5.3X11.5X1.5	15	
92143	92143-1088	COLLAR,L=6.6	2	
92143A	92143-1699	COLLAR	2	
92160	92160-1089	DAMPER,MIRROR	2	
130	130J0620	BOLT-FLANGED	2	
92200	92200-1013	WASHER,10.3X20X1	2	

# CRANKCASE BOLT PATTERN

E1412



## CRANKCASE BOLT PATTERN (continued)

Ref #	Part #	Description	Qty	Spec Code
130	130Z08100	BOLT-FLANGED	8	
130A	130Z0855	BOLT-FLANGED	1	
130B	130Z0875	BOLT-FLANGED	4	
92002	92002-1566	BOLT,6X40	5	
92002A	92002-1567	BOLT,6X60	3	
92002B	92002-1568	BOLT,6X80	4	



## CRANKCASE (continued)

Ref #	Part #	Description	Qty	Spec Code
11009	11009-1105	GASKET,10X14.5X1.5	4	
11009A	11009-1344	GASKET,OILPIPE,8.2X14X1.0	8	
12053	12053-1216	GUIDE-CHAIN,LWR	1	
12053A	12053-1217	GUIDE-CHAIN,UPP	1	
14001	14001-1090	SET-CRANKCASE	1	
14013	14013-004	RING-POSITION	2	
14044	14044-1059	HOLDER-CABLE	1	
32033	32033-1530	PIPE	1	
32033A	32033-1535	PIPE,OILFILTER	1	
32033B	32033-1538	PIPE	1	
32033C	32033-1539	PIPE	1	
32033D	32033-1574	PIPE	1	
32102	32102-1541	PIPE	1	
32102A	32102-1710	PIPE	1	
42046	42046-008	WASHER,6.5X24X1.2	1	
92002	92002-1429	BOLT,BANJO,8X20	3	
92002A	92002-1467	BOLT	1	
92002B	92002-1471	BOLT,BANJO,6X28	1	
92002C	92002-1473	BOLT,BANJO,6X19	1	
92002D	92002-1569	BOLT,6X12	1	
92002E	92002-1570	BOLT,6X16	1	
92002F	92002-1571	BOLT,6X16	1	
92002G	92002-1656	BOLT,6X14	1	
92002H	92002-1809	BOLT,OIL,L=23	1	
92002I	92002-1941	BOLT,BANJO,10X30	1	
92037	92037-1679	CLAMP	1	
92042	92042-016	PIN,DOWEL,6X16	2	
92043	92043-1263	PIN,6.2X8X14	8	
92043A	92043-1264	PIN,8.2X10X14	2	
92049	92049-1070	SEAL-OIL,AE2343F0	1	
92055	92055-048	RING-O,OD=18	2	
92055A	92055-074	RING-O,OD=13	1	
92065	92065-096	GASKET	4	
92066	92066-1205	PLUG,MAINGALLERY	1	
92066A	92066-1208	PLUG,RCA345.5	1	
92075	92075-1678	DAMPER,L=79.5	2	
92075A	92075-1679	DAMPER,L=93	2	
92075B	92075-1742	DAMPER	1	
92150	92150-1826	BOLT,6X12	1	
670	670B1510	ORING,10MM	3	
670A	670B2010	ORING,10MM	1	
670B	670B2021	ORING,21MM	1	
92150A	92150-1868	BOLT,6X12	2	

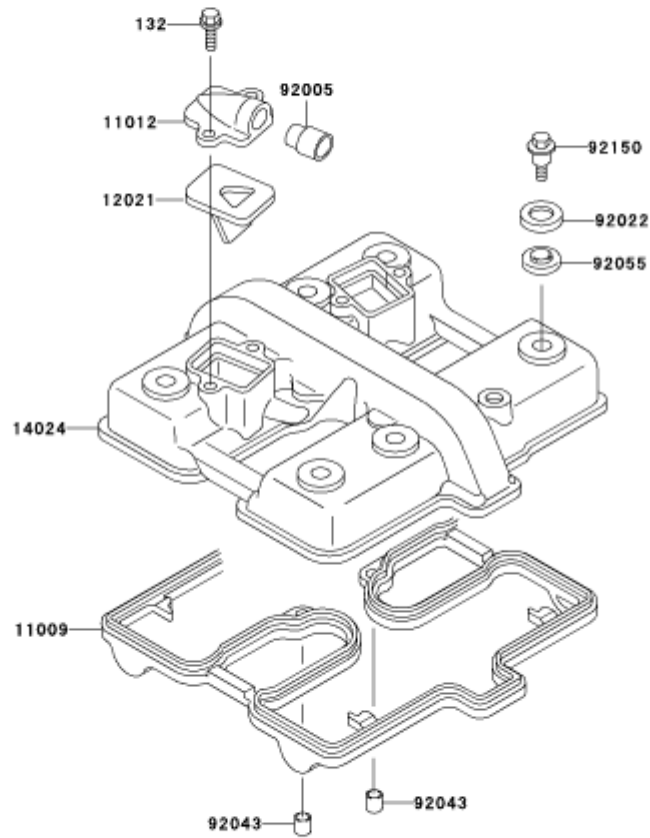


## CRANKSHAFT (continued)

Ref #	Part #	Description	Qty	Spec Code
13031	13031-1303	CRANKSHAFT-COMP	1	
13234	13234-1071	SHAFT-COMP,BALANCER	1	
13251	13251-1067-HH	ROD-ASSY-CONNECTING,H	2	
13251A	13251-1067-II	ROD-ASSY-CONNECTING,I	2	
13251B	13251-1067-JJ	ROD-ASSY-CONNECTING,J	2	
92001	92001-1887	BOLT,CONNECTINGROD,8MM	4	
92015	92015-1311	NUT,FLANGED,8MM	4	
92028	92028-1100	BUSHING,CRANKSHAFT,BLUE	4	
92028A	92028-1101	BUSHING,CRANKSHAFT,BLACK	AR	
92028B	92028-1102	BUSHING,CRANKSHAFT,BROWN	AR	
92028C	92028-1272	BUSHING,CRANKSHAFT,BLUE	4	
92028D	92028-1273	BUSHING,CRANKSHAFT,BLACK	AR	
92028E	92028-1274	BUSHING,CRANKSHAFT,BROWN	AR	
92028F	92028-1348	BUSHING,CONNECTINGROD,BLUE	4	
92028G	92028-1349	BUSHING,CONNECTINGROD,BLACK	AR	
92028H	92028-1350	BUSHING,CONNECTINGROD,BROWN	AR	
92028I	92028-1495	BUSHING,BALANCER,LH,BLUE	2	
92028J	92028-1496	BUSHING,BALANCER,LH,BLACK	AR	
92028K	92028-1497	BUSHING,BALANCER,LH,BROWN	AR	
92028L	92028-1690	BUSHING,BALANCER,RH,BLUE	2	
92028M	92028-1691	BUSHING,BALANCER,RH,BLACK	AR	
92028N	92028-1692	BUSHING,BALANCER,RH,BROWN	AR	
92038	92038-001	KEY,WOODRUFF	1	

# CYLINDER HEAD COVER

E1112

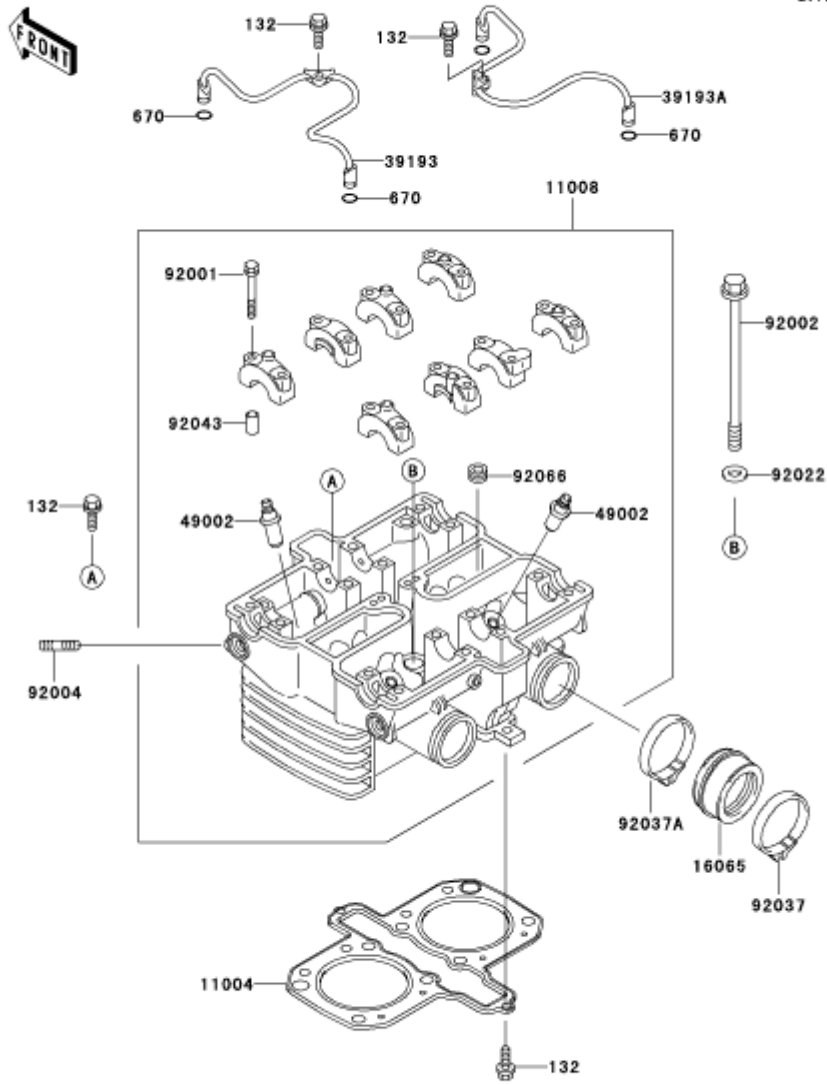


## CYLINDER HEAD COVER (continued)

Ref #	Part #	Description	Qty	Spec Code
132	132J0616	BOLT-FLANGED-SMALL	4	
11009	11009-1483	GASKET,CYLINDERHEADCOVER	1	
11012	11012-1310	CAP,REEDVALVE	2	
12021	12021-1026	VALVE-ASSY-REED	2	
14024	14024-1397	COVER,CYLINDERHEAD	1	
92005	92005-1006	FITTING,REEDVALVE	2	
92022	92022-1487	WASHER,HEADCOVERBOLT	6	
92043	92043-1302	PIN,DOWEL,8X10	2	
92055	92055-1225	RING-O,HEADCOVERBOLT	6	
92150	92150-1447	BOLT,HEADCOVER	6	

# CYLINDER HEAD

E1111



## CYLINDER HEAD (continued)

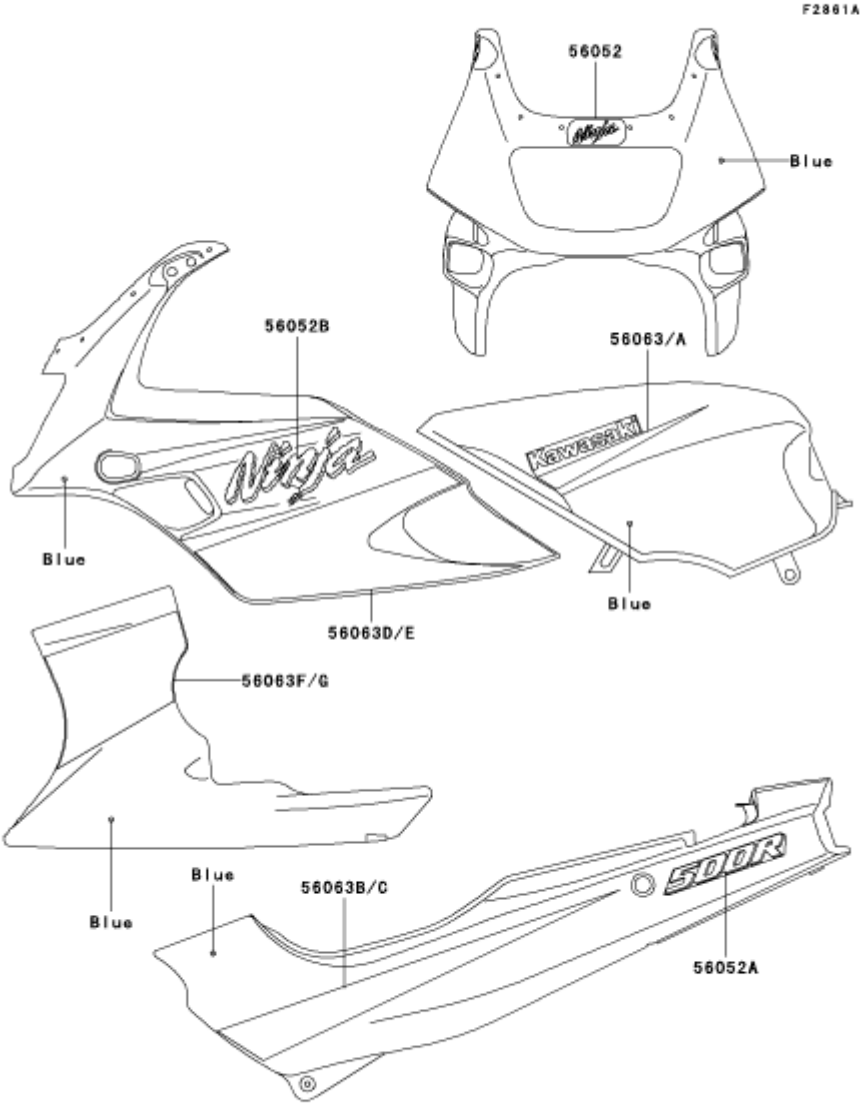
Ref #	Part #	Description	Qty	Spec Code
132	132G0620	BOLT-FLANGED-SMALL	4	
670	670D1507	ORING,7MM	4	
11004	11004-1159	GASKET-HEAD	1	
11008	11008-1405	HEAD-COMP-CYLINDER	1	
16065	16065-1130	HOLDER-CARBURETOR	2	
39193	39193-1038	PIPE-OIL,OIL,LH	1	
39193A	39193-1039	PIPE-OIL,OIL,RH	1	
49002	49002-1052	GUIDE-VALVE	8	
92001	92001-1872	BOLT,6X46	16	
92002	92002-1943	BOLT,10X164	8	
92004	92004-1214	STUD,8X25	4	
92022	92022-1591	WASHER,10.5X20X1.6	8	
92037	92037-1304	CLAMP,ID=53,BLACK	2	
92037A	92037-1523	CLAMP	2	
92043	92043-1263	PIN,6.2X8X14	16	
92066	92066-1253	PLUG,PT1/2X12.5	2	



## CYLINDER/PISTON(S) (continued)

Ref #	Part #	Description	Qty	Spec Code
11005	11005-1517	CYLINDER-ENGINE	1	
11007	11007-1096	LINER-CYLINDER	2	
11009	11009-1640	GASKET,CYLINDERBASE	1	
13001	13001-1251	PISTON-ENGINE,STD	2	
13002	13002-1058	PIN-PISTON	2	
13008	13008-1084	RING-SET-PISTON,STD	2	
13025	13025-1084	RING-SET-PISTONL,O/S0.50	AR	
13029	13029-1160	PISTON-ENGINE,L,O/S0.50	AR	
92033	92033-1099	RING-SNAP,20.5X1.2	4	
92043	92043-1279	PIN,11.5X14X14	2	
92055	92055-1247	RING-O	4	

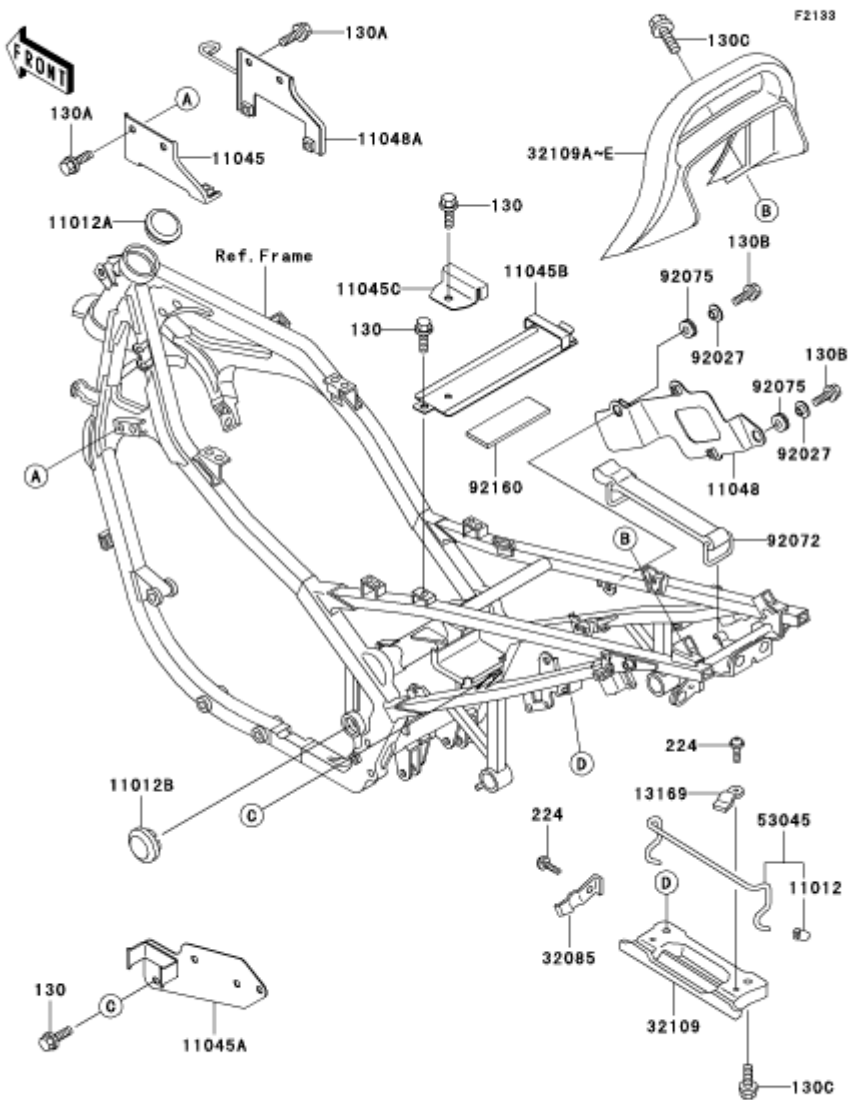
# DECALS (BLUE) (EX500-D7)



## DECALS (BLUE) (EX500-D7) (continued)

Ref #	Part #	Description	Qty	Spec Code
56052	56052-1121	MARK,UPPCOWLING,NINJA	1	
56052A	56052-1122	MARK,SIDECOVER,500R	2	
56052B	56052-1123	MARK,UPPCOWLING,NINJA	2	
56063	56063-1233	PATTERN,FUELTANK,LH	1	
56063A	56063-1234	PATTERN,FUELTANK,RH	1	
56063B	56063-1235	PATTERN,SIDECOVER,LH	1	
56063C	56063-1236	PATTERN,SIDECOVER,RH	1	
56063D	56063-1237	PATTERN,UPPCOWLING,LH	1	
56063E	56063-1238	PATTERN,UPPCOWLING,RH	1	
56063F	56063-1239	PATTERN,LWRCOWLING,LH	1	
56063G	56063-1240	PATTERN,LWRCOWLING,RH	1	

# ELECTRO BRACKET

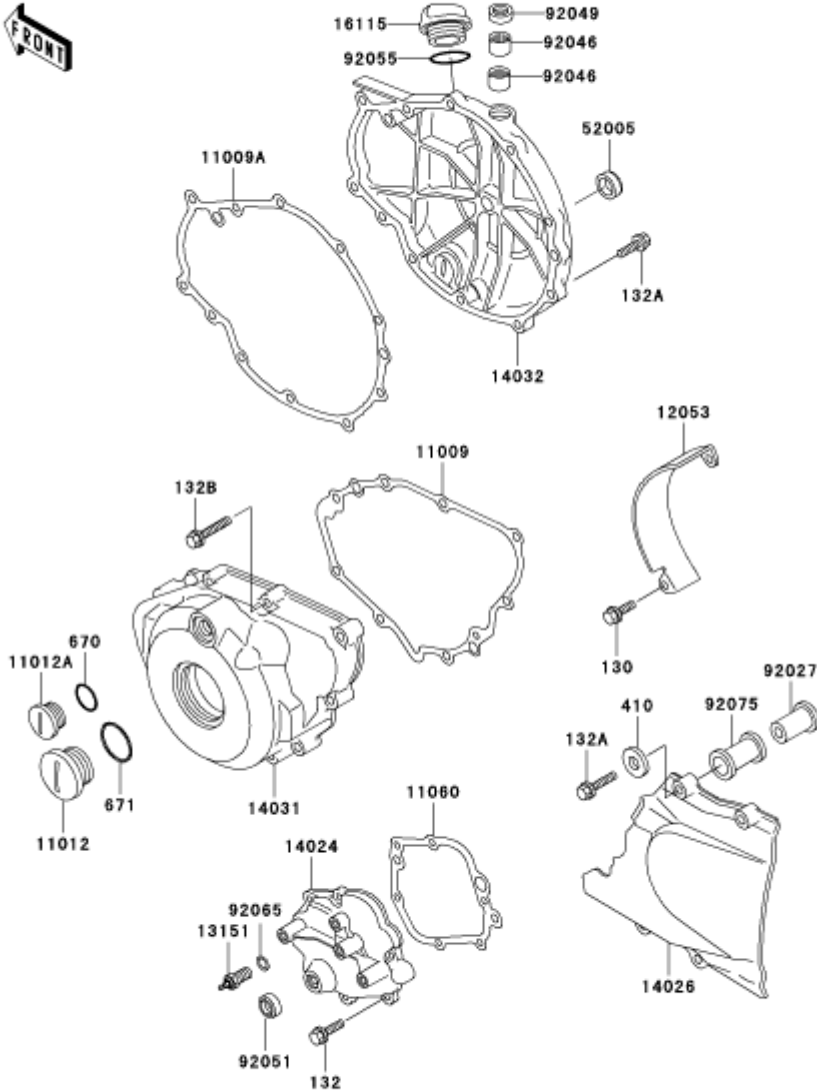


## ELECTRO BRACKET (continued)

Ref #	Part #	Description	Qty	Spec Code
130	130J0608	BOLT-FLANGED,6X8	4	
130A	130J0614	BOLT-FLANGED,6X14,BLACK	4	
130B	130J0616	BOLT-FLANGED,6X16,BLACK	2	
130C	130J0816	BOLT-FLANGED,8X16,BLACK	6	
224	224C0508	SCREW-PAN-WP-CROS	6	
11012	11012-1589	CAP,BUNGEECORDHOOK	4	
11012A	11012-1688	CAP,SWINGARM	1	
11012B	11012-1717-10	CAP,CROSSPIPE,BLACK	2	
11045	11045-1419	BRACKET,IGNITIONCOIL,LH	1	
11045A	11045-1421	BRACKET,REGULATOR	1	
11045B	11045-1423	BRACKET,BATTERYBAND	1	
11045C	11045-1424	BRACKET,JUNCTIONBOX	1	
11048	11048-1343	BRACKET,IGNITER	1	
11048A	11048-1665	BRACKET,IGNITIONCOIL,RH	1	
13169	13169-1760	PLATE,GRIP	4	
32085	32085-1187	STOPPER,HOOK	2	
32109	32109-1108	GRIP-FRAME	2	
32109C	32109-1245-E1	GRIP-FRAME,TAIL,C.L.BLUE	1	
32109D	32109-1245-H8	GRIP-FRAME,TAIL,EBONY	1	[CN]
53045	53045-1062	HOOK-ASSY,BUNGEECORD	2	
92027	92027-1166	COLLAR	2	
92072	92072-1085	BAND	1	
92075	92075-051	DAMPER	2	
92160	92160-1094	DAMPER,BATTERY	1	

# ENGINE COVER(S)

E1431

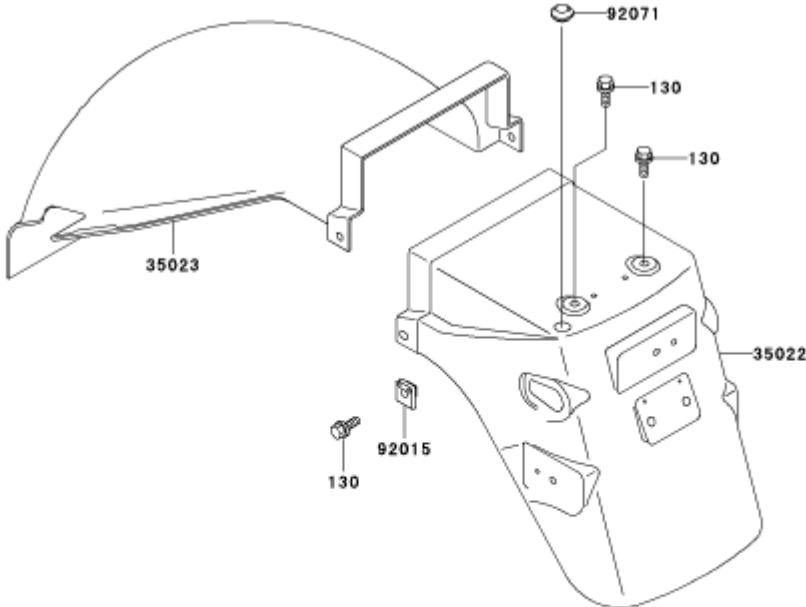
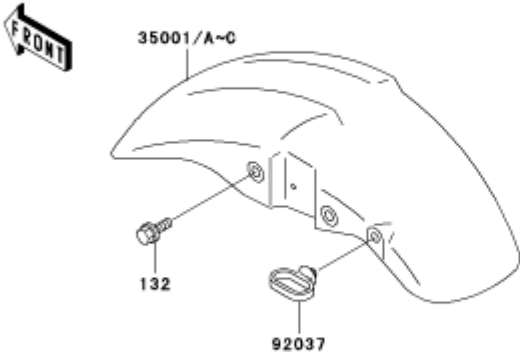


## ENGINE COVER(S) (continued)

Ref #	Part #	Description	Qty	Spec Code
130	130G0612	BOLT-FLANGED,6X12	2	
132	132J0620	BOLT-FLANGED-SMALL	6	
132A	132J0625	BOLT-FLANGED-SMALL	15	
132B	132J0630	BOLT-FLANGED-SMALL	9	
410	410F0600	WASHER-PLAIN-SMALL,6MM,BLACK	4	
670	670B2018	ORING,18MM	1	
671	671B2540	ORING,40MM	1	
11009	11009-1834	GASKET,GENERATORCOVER	1	
11009A	11009-1836	GASKET,CLUTCHCOVER	1	
11012	11012-1362	CAP	1	
11012A	11012-1363	CAP,TOPMARK	1	
11060	11060-1830	GASKET,CHANGEMECHANISM	1	
12053	12053-1215	GUIDE-CHAIN	1	
13151	13151-1080	SWITCH-COMP,NEUTRAL	1	
14024	14024-1387	COVER,CHANGEMECHANISM	1	
14026	14026-1128	COVER-CHAIN	1	
14031	14031-1202	COVER-GENERATOR	1	
14032	14032-1386	COVER-CLUTCH	1	
16115	16115-1009	CAP-OILFILLER	1	
52005	52005-1009	GAUGE,OILLEVEL	1	
92027	92027-1858	COLLAR	4	
92046	92046-1010	BEARING-NEEDLE,HK1210	2	
92049	92049-1271	SEAL-OIL,TB12205.5	1	
92051	92051-005	SEAL-OIL,TB13225.5	1	
92055	92055-049	RING-O,31.7X2.4	1	
92065	92065-058	GASKET,10.5X16X1	1	
92075	92075-1681	DAMPER	4	

# FENDERS

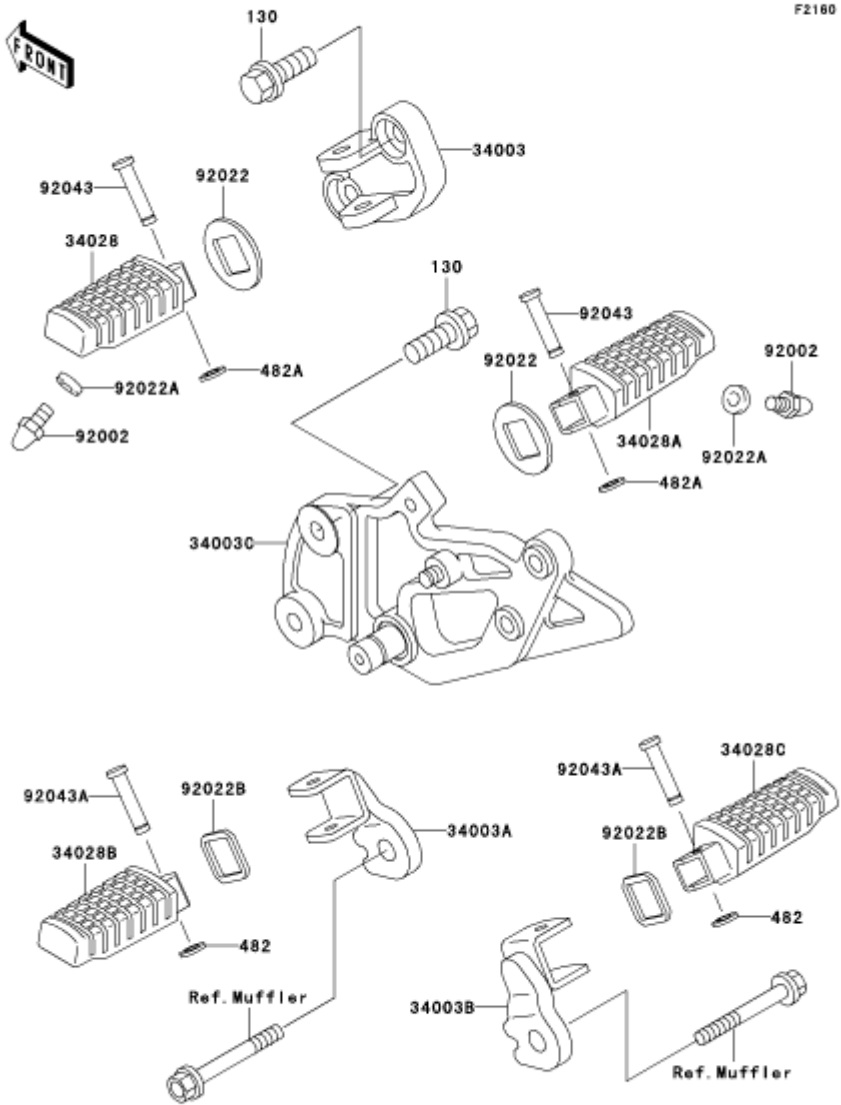
F2170



## FENDERS (continued)

Ref #	Part #	Description	Qty	Spec Code
130	130B0616	BOLT-FLANGED,6X16	4	
132	132J0820	BOLT-FLANGED-SMALL	4	
35001A	35001-1155-E1	FENDER-ASSY-FRONT,C.L.BLUE	1	
35001B	35001-1155-H8	FENDER-ASSY-FRONT,EBONY	1	[CN]
35022	35022-1229-6Z	FENDER-COMP-REAR,RR,BLACK	1	
35023	35023-1391	FENDER-REAR,FR	1	
92015	92015-1678	NUT,CLAMP,6MM	2	
92037	92037-1459	CLAMP,CABLE	1	
92071	92071-019	GROMMET,10MM	1	

# FOOTRESTS

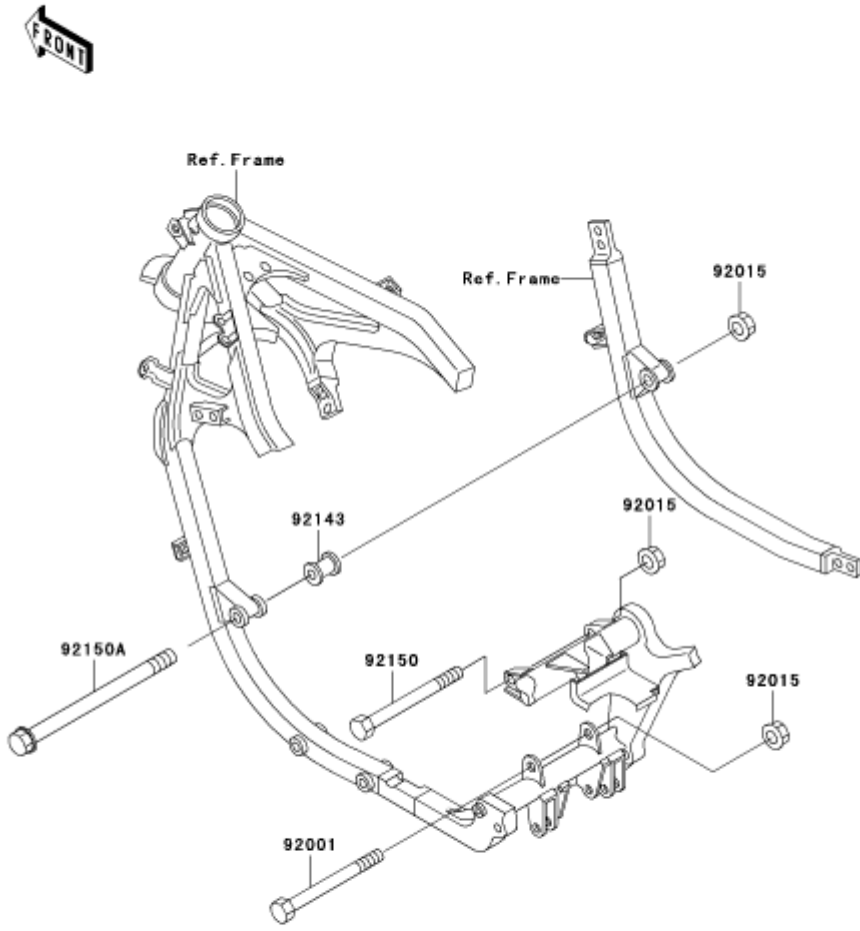


## FOOTRESTS (continued)

Ref #	Part #	Description	Qty	Spec Code
130	130J0820	BOLT-FLANGED,8X20	4	
482	482L5000	CIRCLIP-TYPE-E,5MM	2	
482A	482L7000	CIRCLIP-TYPE-E	2	
34003	34003-1319	HOLDER-STEP,FR,LH	1	
34003A	34003-1321	HOLDER-STEP,RR,LH	1	
34003B	34003-1322	HOLDER-STEP,RR,RH	1	
34003C	34003-1394	HOLDER-STEP,FR,RH	1	
34028	34028-1193	STEP,FR,LH	1	
34028A	34028-1194	STEP,FR,RH	1	
34028B	34028-1195	STEP,RR,LH	1	
34028C	34028-1196	STEP,RR,RH	1	
92002	92002-1995	BOLT,BANKSENSOR	2	
92022	92022-1314	WASHER,STEPFITTING	2	
92022A	92022-1523	WASHER,6.5X13X2.0	2	
92022B	92022-1797	WASHER,STEPFITTING	2	
92043	92043-1326	PIN,8X40.5	2	
92043A	92043-1607	PIN,6X30	2	

# FRAME FITTINGS

F2131

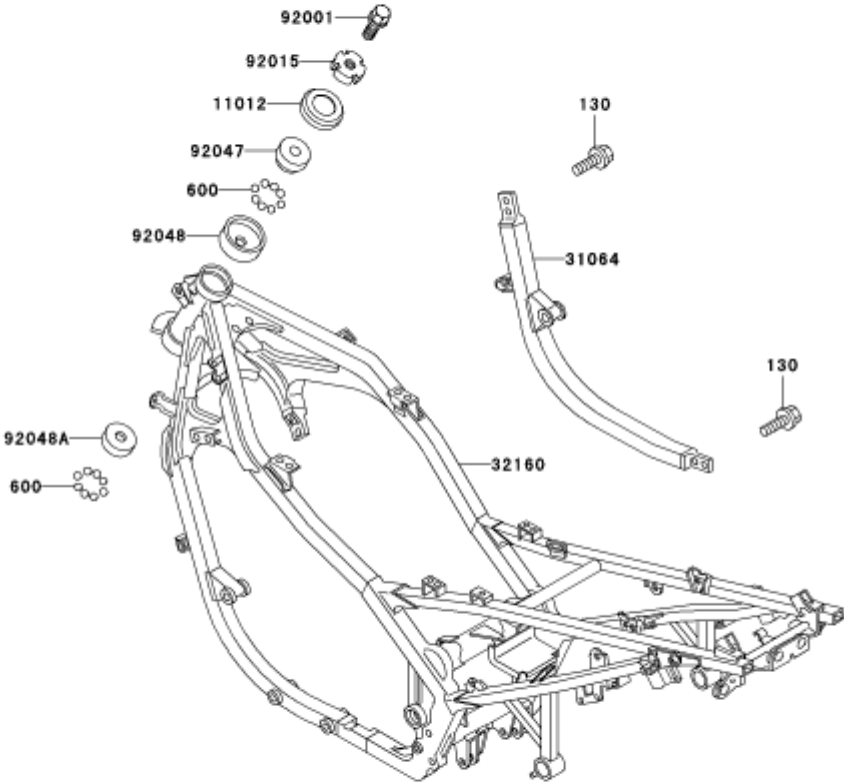


## FRAME FITTINGS (continued)

Ref #	Part #	Description	Qty	Spec Code
92001	92001-1541	BOLT,10X179	1	
92015	92015-1180	NUT,FLANGED,10MM	3	
92143	92143-1276	COLLAR,L=34	1	
92150	92150-1222	BOLT,10X165	1	
92150A	92150-1223	BOLT,FLANGED,10X295	1	

# FRAME

F2120

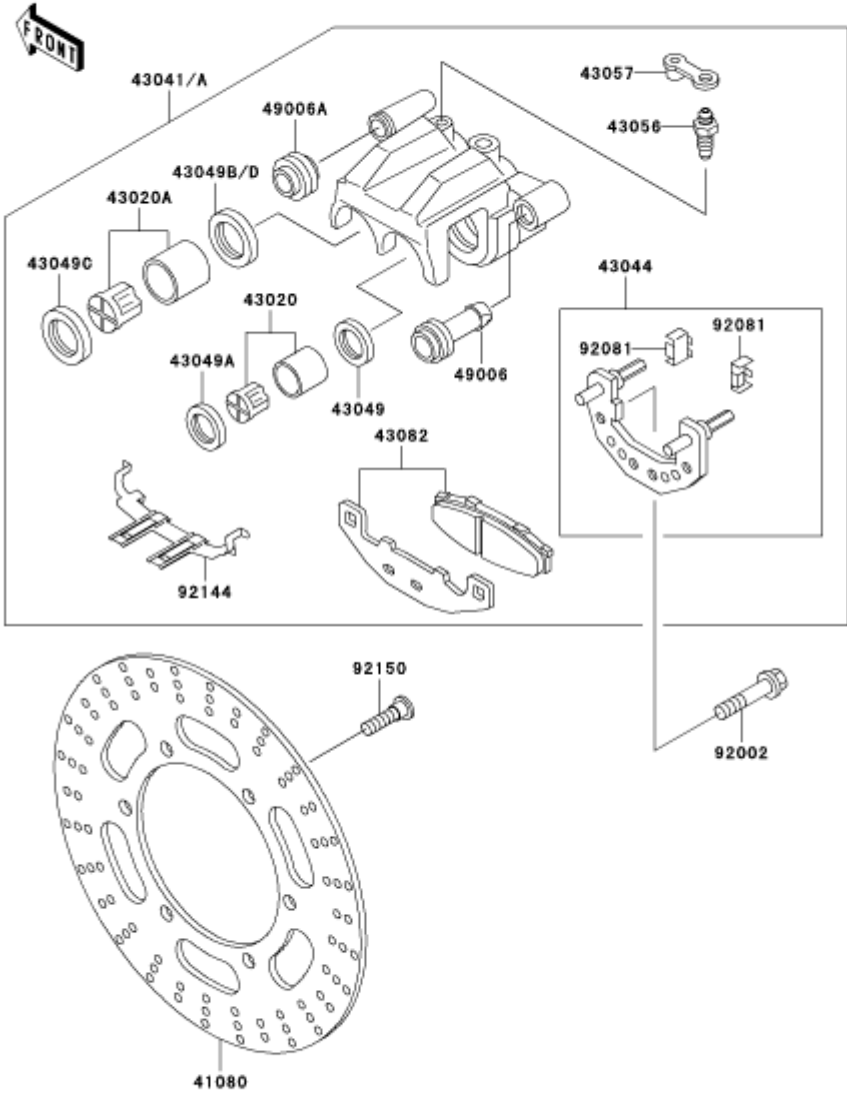


## FRAME (continued)

Ref #	Part #	Description	Qty	Spec Code
130	130J1020	BOLT-FLANGED,10X20	4	
600	600A0800	BALL-STEEL,1/4"	39	
11012	11012-1898	CAP,STEERINGSTEM	1	
31064	31064-1155-10	PIPE-COMP,DOWNTUBE,RH,BLACK	1	
32160	32160-1324-10	FRAME-COMP,BLACK	1	
92001	92001-1488	BOLT,FLANGED,16X22	1	
92015	92015-1301	NUT,30MM,BLACK	1	
92047	92047-011	RACE,STEERINGSTEMBEARING	1	
92048	92048-006	RACE,STEERINGSTEMBEARING	1	
92048A	92048-008	RACE,STEERINGSTEMBEARING	1	

# FRONT BRAKE

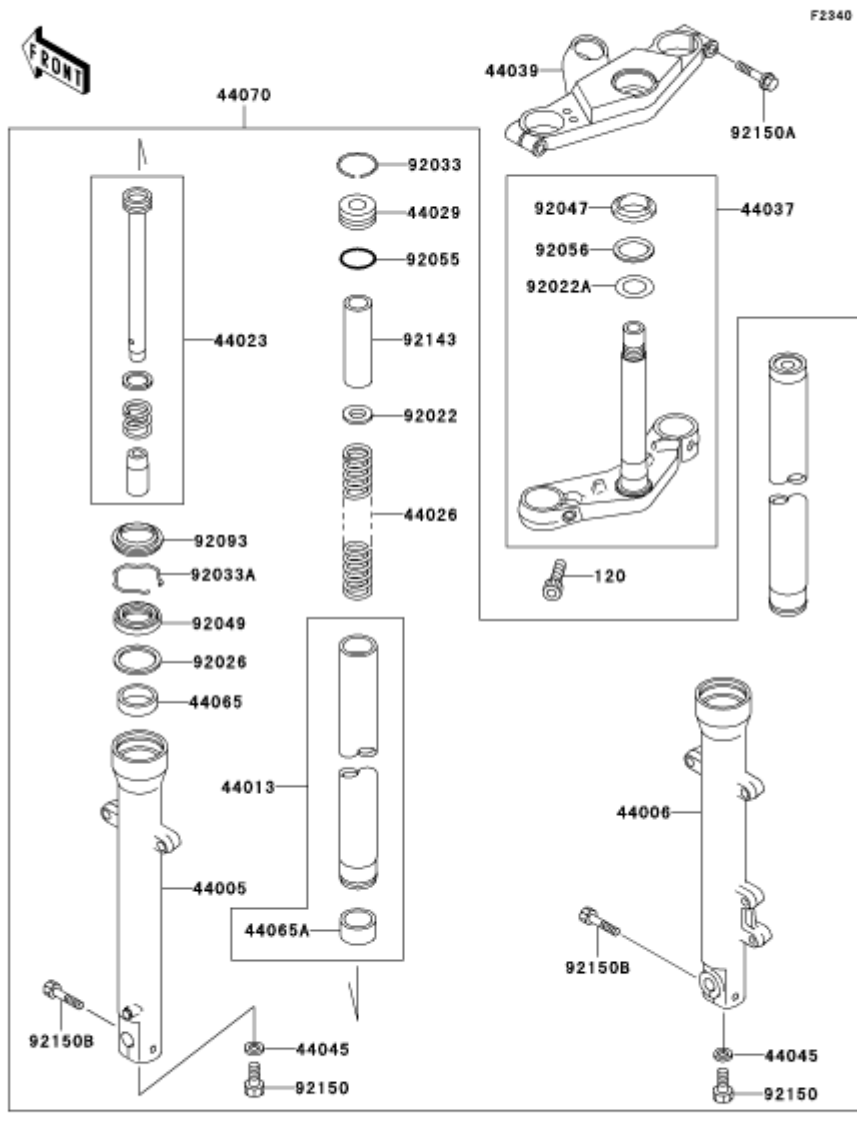
F2292



## FRONT BRAKE (continued)

Ref #	Part #	Description	Qty	Spec Code
41080	41080-1371-FB	DISC,FR,C.GRAY	1	
43020	43020-1068	PISTON-COMP-BRAKE	1	
43020A	43020-1069	PISTON-COMP-BRAKE	1	
43041	43041-1526-DJ	CALIPER-ASSY,FR,RH,BLACK	1	
43044	43044-1067	HOLDER-COMP-CALIPER	1	
43049	43049-1054	PACKING,PISTONSEAL	1	
43049A	43049-1055	PACKING,PISTON	1	
43049B	43049-1056	PACKING,PISTONSEAL	1	
43049C	43049-1057	PACKING,PISTON	1	
43056	43056-1054	BREATHER-BRAKE	1	
43057	43057-003	CAP-BREATHER	1	
43082	43082-1161	PAD-ASSY-BRAKE	1	
49006	49006-1094	BOOT,CALIPER	1	
49006A	49006-1095	BOOT,CALIPER	1	
92002	92002-1484	BOLT,FLANGED,10X41	2	
92081	92081-1661	SPRING,PADSTOPPER	2	
92144	92144-1070	SPRING,PAD	1	
92150	92150-1771	BOLT,SOCKET,8X30	6	

# FRONT FORK

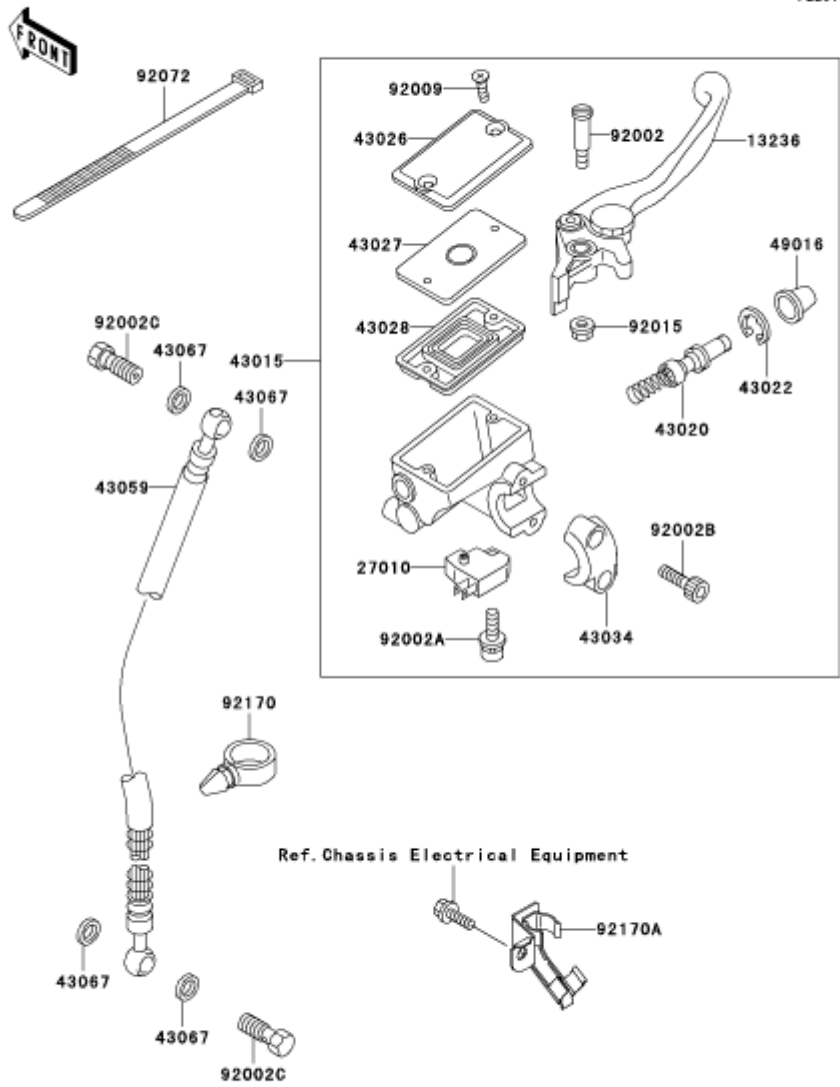


## FRONT FORK (continued)

Ref #	Part #	Description	Qty	Spec Code
120	120S1025	BOLT-SOCKET,10X25	2	
44005	44005-1330	PIPE-LEFTFORKOUTER	1	
44006	44006-1330	PIPE-RIGHTFORKOUTER	1	
44013	44013-1394	PIPE-FORKINNER	2	
44023	44023-1092	CYLINDER-COMP-FORK	2	
44026	44026-1555	SPRING-FRONTFORK	2	
44029	44029-1127	SEAT-FORKSPRING	2	
44037	44037-1319	HOLDER-FORKUNDER	1	
44039	44039-1246-10	HOLDER-FORKUPPER,BLACK	1	
44045	44045-051	GASKET,FORKCYLINDERBOLT	2	
44065	44065-1109	BUSHING-FRONTFORK	2	
44065A	44065-1110	BUSHING-FRONTFORK,INNERPIPE	2	
44070	44070-5174	DAMPER-ASSY,FORK	1	
92022	92022-1879	WASHER	2	
92022A	92022-231	WASHER,30.5X50X0.6	1	
92026	92026-1443	SPACER,FORK	2	
92033	92033-1236	RING-SNAP	2	
92033A	92033-1286	RING-SNAP	2	
92047	92047-012	RACE,STEERINGSTEMBEARING	1	
92049	92049-1421	SEAL-OIL,FORKOUTER	2	
92055	92055-1384	RING-O,FORKSPRINGSEAT	2	
92056	92056-003	SEAL-OIL,STEERINGSTEM	1	
92093	92093-1367	SEAL,FORKOUTER	2	
92143	92143-1682	COLLAR,FORK,L=100	2	
92150	92150-1432	BOLT,SOCKET,8X18	2	
92150A	92150-1610	BOLT	2	
92150B	92150-1613	BOLT,SOCKET,8MM	2	

# FRONT MASTER CYLINDER

F2201

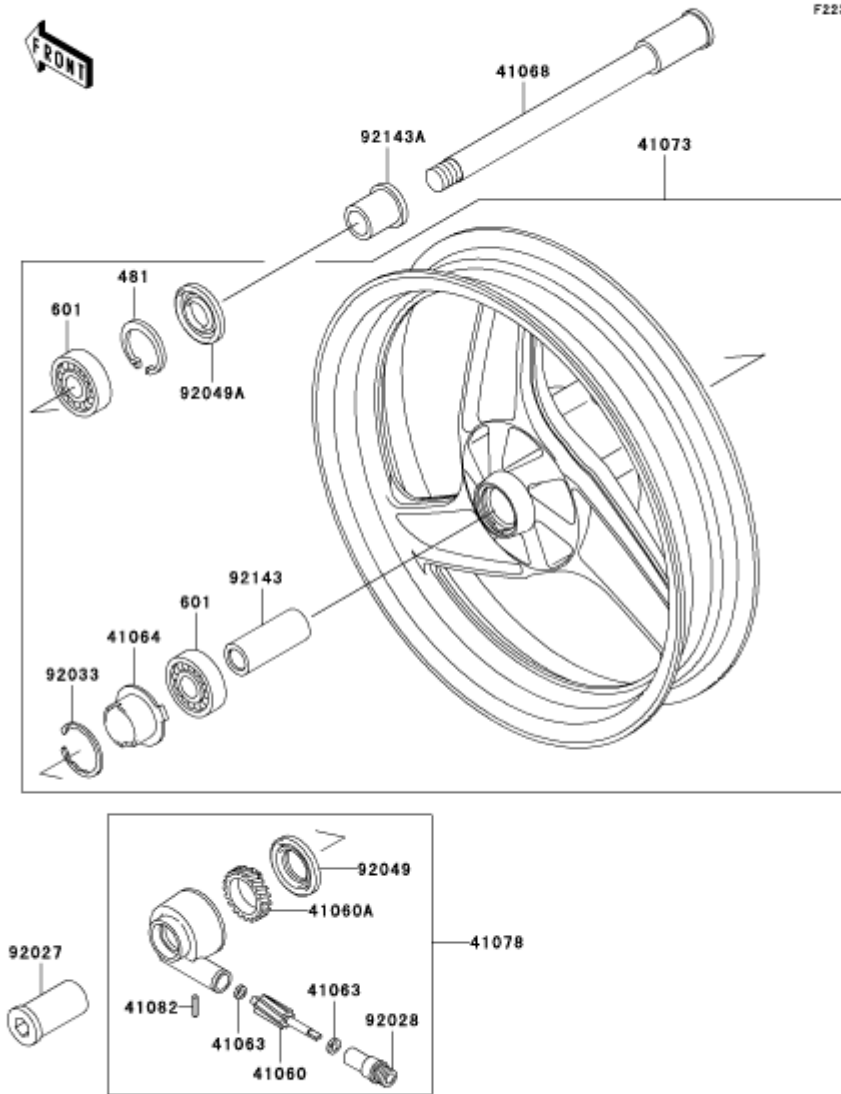


## FRONT MASTER CYLINDER (continued)

Ref #	Part #	Description	Qty	Spec Code
13236	13236-1185	LEVER-COMP,FRONTBRAKE	1	
27010	27010-1170	SWITCH,BRAKE	1	
43015	43015-1479	CYLINDER-ASSY-MASTER,FR	1	
43020	43020-1056	PISTON-COMP-BRAKE,FR	1	
43022	43022-1010	STOPPER-BRAKE,PISTON	1	
43026	43026-1076	CAP-BRAKE	1	
43027	43027-1055	PLATE-DIAPHRAGM	1	
43028	43028-1058	DIAPHRAGM,MASTERCYLINDER	1	
43034	43034-1053	HOLDER-BRAKE,MASTERCYLINDER	1	
43059	43059-1860	HOSE-BRAKE,FR	1	
43067	43067-001	WASHER,10.5X15X1.5	4	
49016	49016-1044	COVER-SEAL,MASTERCYLINDER	1	
92002	92002-1322	BOLT,LEVERSET,BLACK	1	
92002A	92002-1323	BOLT,SCREW,4X12	1	
92002B	92002-1324	BOLT,SOCKET,6X20,BLACK	2	
92002C	92002-1907	BOLT,OIL,L=23	2	
92009	92009-1458	SCREW,4MM	2	
92015	92015-1233	NUT,FLANGED,6MM,BLACK	1	
92072	92072-1195	BAND,L=202	1	
92170	92170-1067	CLAMP	1	
92170A	92170-1499	CLAMP,HOSE	1	

# FRONT WHEEL

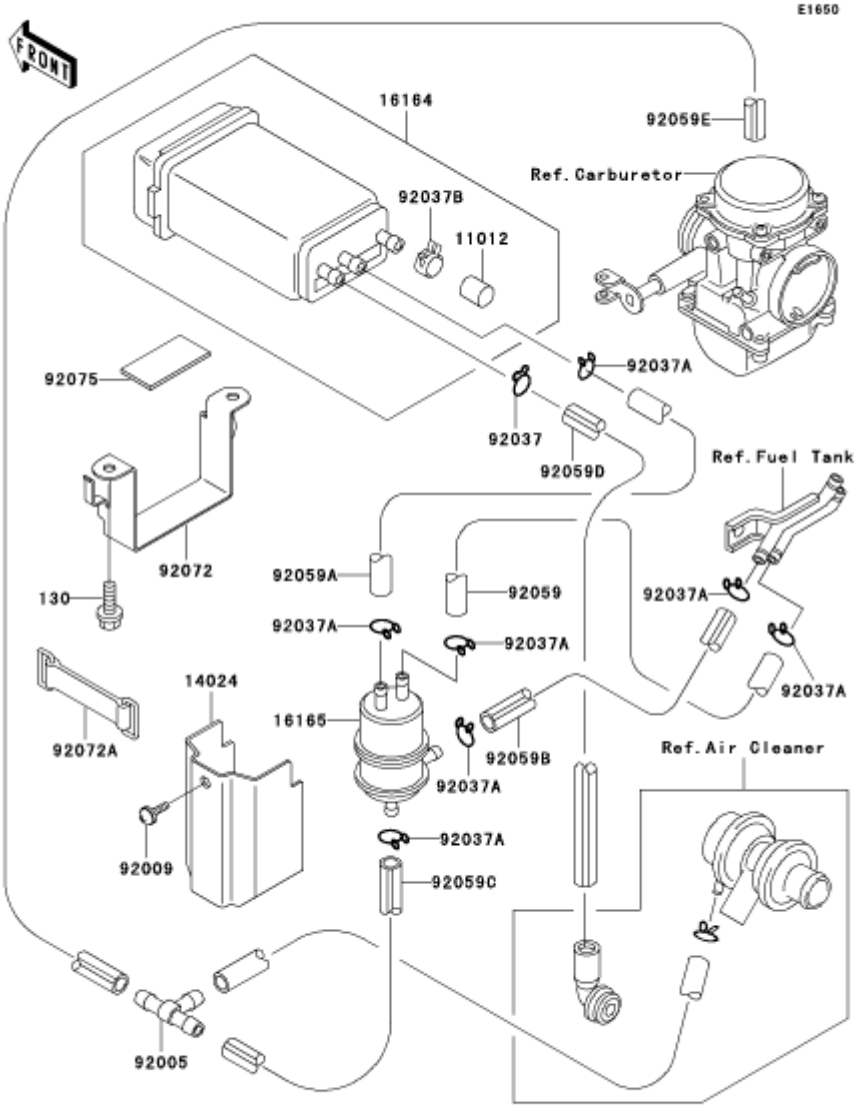
F2230



## FRONT WHEEL (continued)

Ref #	Part #	Description	Qty	Spec Code
481	481J3500	CIRCLIP-TYPE-C,35MM	1	
601	601B6202UU	BEARING-BALL	2	
41060	41060-1123	GEAR-METERSCREW,9T	1	
41060A	41060-1124	GEAR-METERSCREW,23T	1	
41063	41063-001	WASHER,5.1X9X0.4	2	
41064	41064-1006	RECEIVER-SPEEDOMETER	1	
41068	41068-1175	AXLE,FR	1	
41073	41073-1543-GE	WHEEL-ASSY,FR,G.GRAY	1	
41078	41078-1068	CASE-ASSY-METERGEAR	1	
41082	41082-001	PIN,SPRING	1	
92027	92027-1726	COLLAR,FRAXLE,L=36.5	1	
92028	92028-1066	BUSHING,SPEEDOMETER	1	
92033	92033-1041	RING-SNAP,42MM	1	
92049	92049-1057	SEAL-OIL,BJN30427-C3	1	
92049A	92049-1176	SEAL-OIL,MH20354.5	1	
92143	92143-1185	COLLAR,15.1X20X70	1	
92143A	92143-1187	COLLAR,FRAXLE,L=24	1	

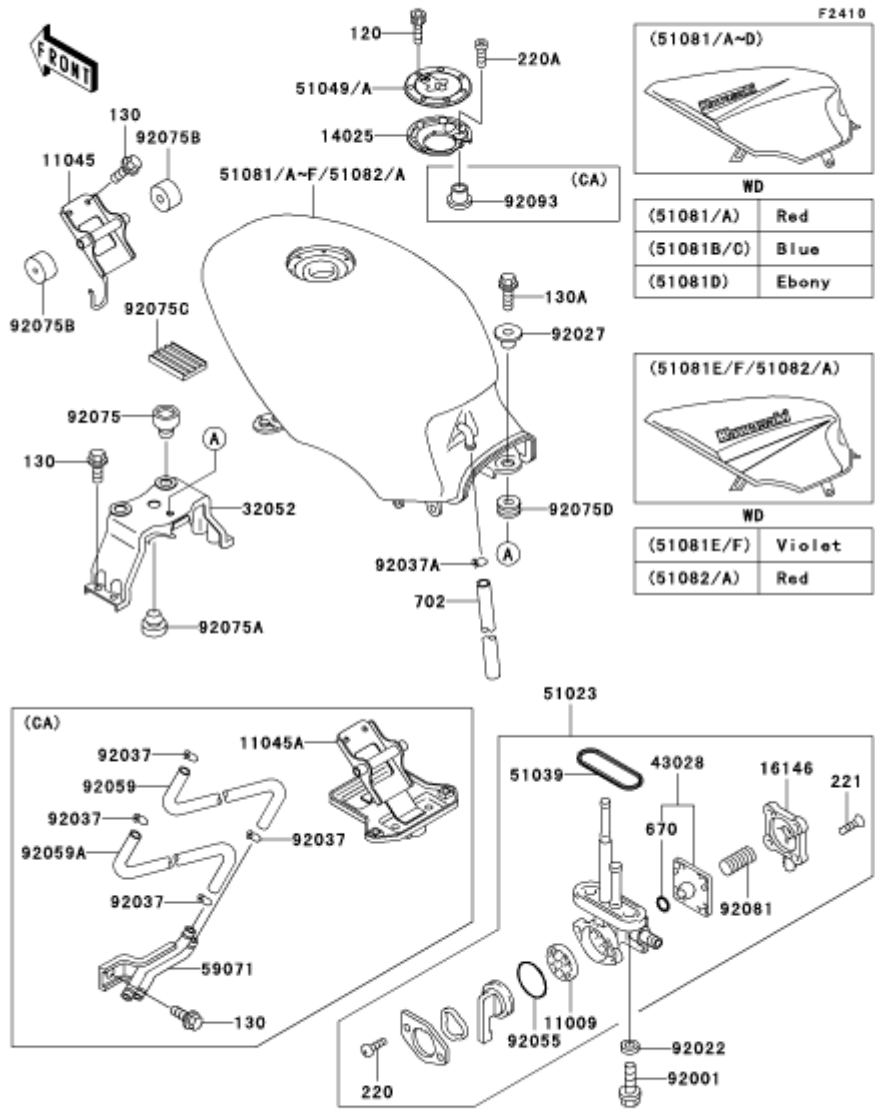
# FUEL EVAPORATIVE SYSTEM (CA)



## FUEL EVAPORATIVE SYSTEM (CA) (continued)

Ref #	Part #	Description	Qty	Spec Code
130	130B0612	BOLT-FLANGED,6X12	2	[CA]
11012	11012-1388	CAP,CANISTER	1	[CA]
14024	14024-1399	COVER,SEPARATOR	1	[CA]
16164	16164-1054	CANISTER	1	[CA]
16165	16165-1001	SEPARATOR	1	[CA]
92005	92005-1017	FITTING,TUBE,T-TYPE	1	[CA]
92009	92009-1402	SCREW,6X10	1	[CA]
92037	92037-1104	CLAMP,HOSE	1	[CA]
92037A	92037-147	CLAMP,TUBE	7	[CA]
92037B	92037-1512	CLAMP,CANISTER	1	[CA]
92059	92059-1496	TUBE,5X10X170,BLUE	1	[CA]
92059A	92059-1499	TUBE,5X10X320,BLUE	1	[CA]
92059B	92059-1809	TUBE,5X10X250,RED	1	[CA]
92059C	92059-1824	TUBE,5X10X380	1	[CA]
92059D	92059-1825	TUBE,7X12X410	1	[CA]
92059E	92059-1826	TUBE,5X10X160	1	[CA]
92072	92072-1216	BAND,CANISTER	1	[CA]
92072A	92072-1419	BAND,L=50	1	[CA]
92075	92075-1830	DAMPER	1	[CA]

# FUEL TANK

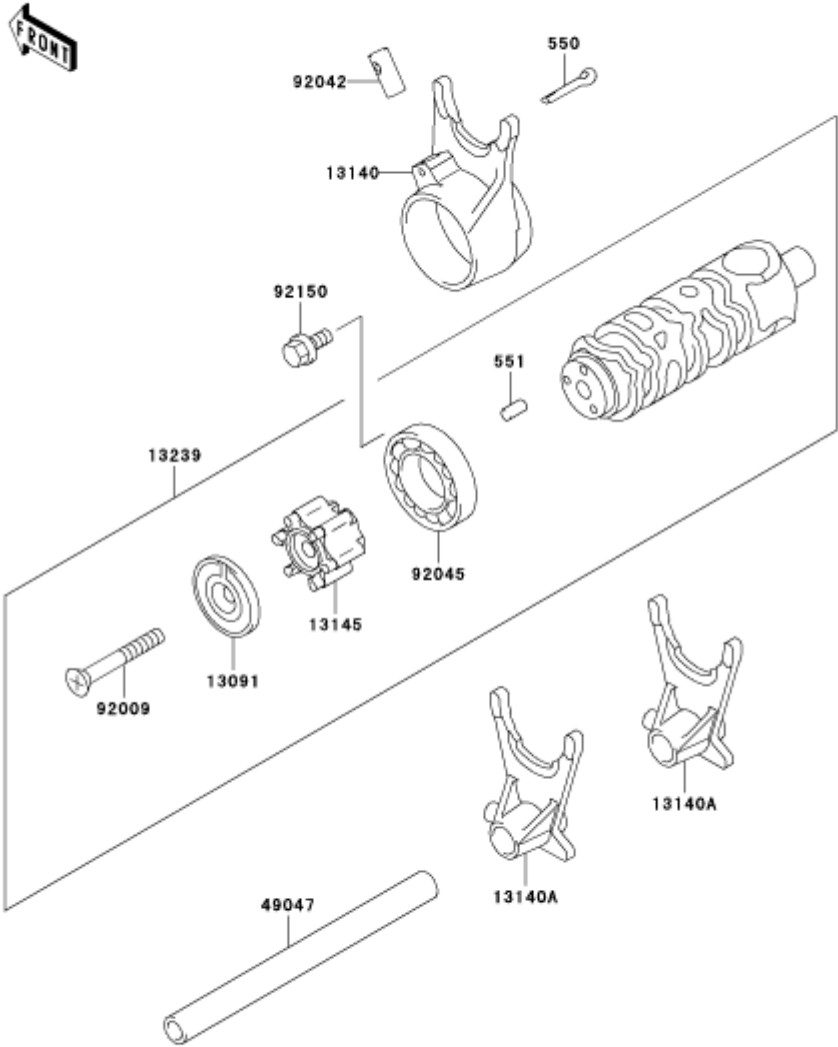


## FUEL TANK (continued)

Ref #	Part #	Description	Qty	Spec Code
11009	11009-1188	GASKET,TAPVALVE	1	
11045	11045-1362	BRACKET,FUELTANK,FR	1	[CN,US]
11045A	11045-1389	BRACKET,FUELTANK,FR	1	[CA]
14025	14025-1913	COVER,TANKCAP	1	
16146	16146-1010	COVER-ASSY,TAPDIAPHRAGM	1	
32052	32052-1394	BRACKET-TANK,FUEL,RR	1	
43028	43028-1033	DIAPHRAGM	1	
51023	51023-1142	TAP-ASSY,FUEL	1	
51039	51039-003	RING,TAPFLANGED	1	
51049	51049-1091	CAP-TANK,FUEL	1	
51081B	51081-5190-E1	TANK-COMP-FUEL,C.L.BLUE	1	[CN,US]
51081C	51081-5191-E1	TANK-COMP-FUEL,C.L.BLUE	1	[CA]
51081D	51081-5192-H8	TANK-COMP-FUEL,EBONY	1	[CN]
59071	59071-1122	JOINT,EVAPO	1	[CA]
92001	92001-1091	BOLT,6X20	2	
92022	92022-183	WASHER,6.2X11X1.5	2	
120	120S0512	BOLT-SOCKET	7	
130	130B0612	BOLT-FLANGED,6X12	6	[CN,US]
130	130B0612	BOLT-FLANGED,6X12	7	[CA]
130A	130G0830	BOLT-FLANGED,8X30	1	
220	220B0308	SCREW-PAN-CROS	2	
220A	220C0508	SCREW-PAN-CROS	1	
221	221B0414	SCREW-CSK-CROS,4X14	4	
670	670B1504	ORING,4MM	1	
702	702A07380	TUBE-RUBBER,7X10X380	1	
92027	92027-1780	COLLAR,L=19.3	1	
92037	92037-010	CLAMP,TUBE	4	[CA]
92037A	92037-1712	CLAMP	1	
92055	92055-1085	RING-O,TAPLEVER	1	
92059	92059-1767	TUBE,EVAPO	1	[CA]
92059A	92059-1768	TUBE,EVAPO	1	[CA]
92075	92075-015	DAMPER	2	
92075A	92075-1045	DAMPER	1	
92075B	92075-1115	DAMPER,FUELTANK,FR	2	
92075C	92075-1489	DAMPER	2	
92075D	92075-1736	DAMPER	1	
92081	92081-1240	SPRING,TAPDIAPHRAGM	1	
92093	92093-1030	SEAL,FUELTANKCAP	1	[CA]

# GEAR CHANGE DRUM/SHIFT FORK(S)

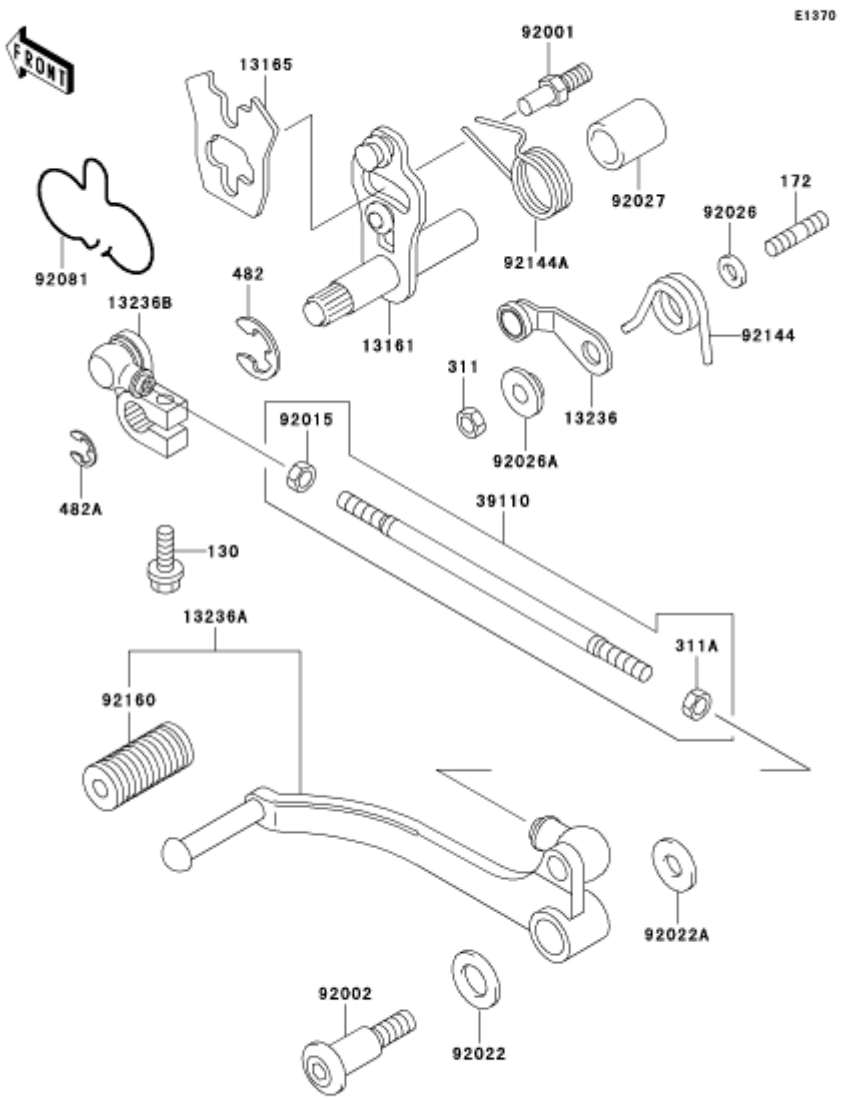
E1362



## GEAR CHANGE DRUM/SHIFT FORK(S) (continued)

Ref #	Part #	Description	Qty	Spec Code
550	550D3020	PIN-COTTER,3.0X20	1	
551	551A0408	PIN-DOWEL,4X8	1	
13091	13091-1351	HOLDER,CHANGEDRUM	1	
13140	13140-1016	FORK-SHIFT,DRIVE	1	
13140A	13140-1062	FORK-SHIFT,OUTPUT	2	
13145	13145-1056	CAM-CHANGEDRUM	1	
13239	13239-1118	DRUM-ASSY-CHANGE	1	
49047	49047-1061	ROD-SHIFT	1	
92009	92009-1599	SCREW,6X45	1	
92042	92042-021	PIN,DOWEL,8X18	1	
92045	92045-036	BEARING-BALL,#6905	1	
92150	92150-1826	BOLT,6X12	2	

# GEAR CHANGE MECHANISM



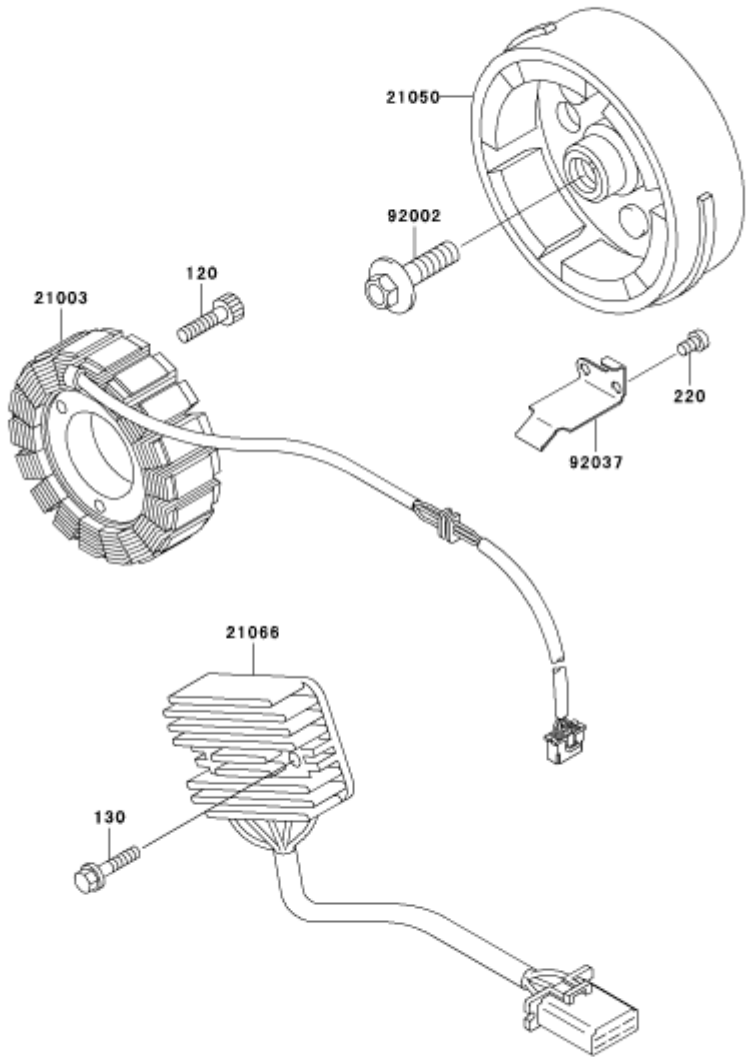
## GEAR CHANGE MECHANISM (continued)

Ref #	Part #	Description	Qty	Spec Code
130	130S0620	BOLT-FLANGED,6X20,BLACK	1	
172	172G0614	BOLT-STUD,6X14	1	
311	311G0600	NUT-HEX,6MM	1	
311A	311J0600	NUT-HEX	1	
482	482J0200	CIRCLIP-TYPE-E,12MM	1	
482A	482L7000	CIRCLIP-TYPE-E	1	
13161	13161-1117	LEVER-COMP-CHANGESHAFT	1	
13165	13165-1034	PAWL,CHANGELEVER	1	
13236	13236-1103	LEVER-COMP,GEARPOSITION	1	
13236A	13236-1153	LEVER-COMP,CHANGEPEDAL	1	
13236B	13236-1154	LEVER-COMP,CHANGELINK	1	
39110	39110-1077	ROD-ASSY-TIE	1	
92001	92001-1455	BOLT,RETURNSPRING	1	
92002	92002-1926	BOLT,CHANGEPEDAL	1	
92015	92015-1178	NUT	1	
92022	92022-072	WASHER,12.5X21X1.2	1	
92022A	92022-1561	WASHER,8.5X20X1.6	1	
92026	92026-094	SPACER,6.3X12X1.0	1	
92026A	92026-1217	SPACER	1	
92027	92027-1440	COLLAR,13X18.3X21.5	1	
92081	92081-1785	SPRING,CHANGELEVER	1	
92144	92144-1180	SPRING,POSITIONLEVER	1	
92144A	92144-1644	SPRING,CHANGEPEDALRETURN	1	
92160	92160-1036	DAMPER,CHANGEPEDAL	1	

# GENERATOR



E1810

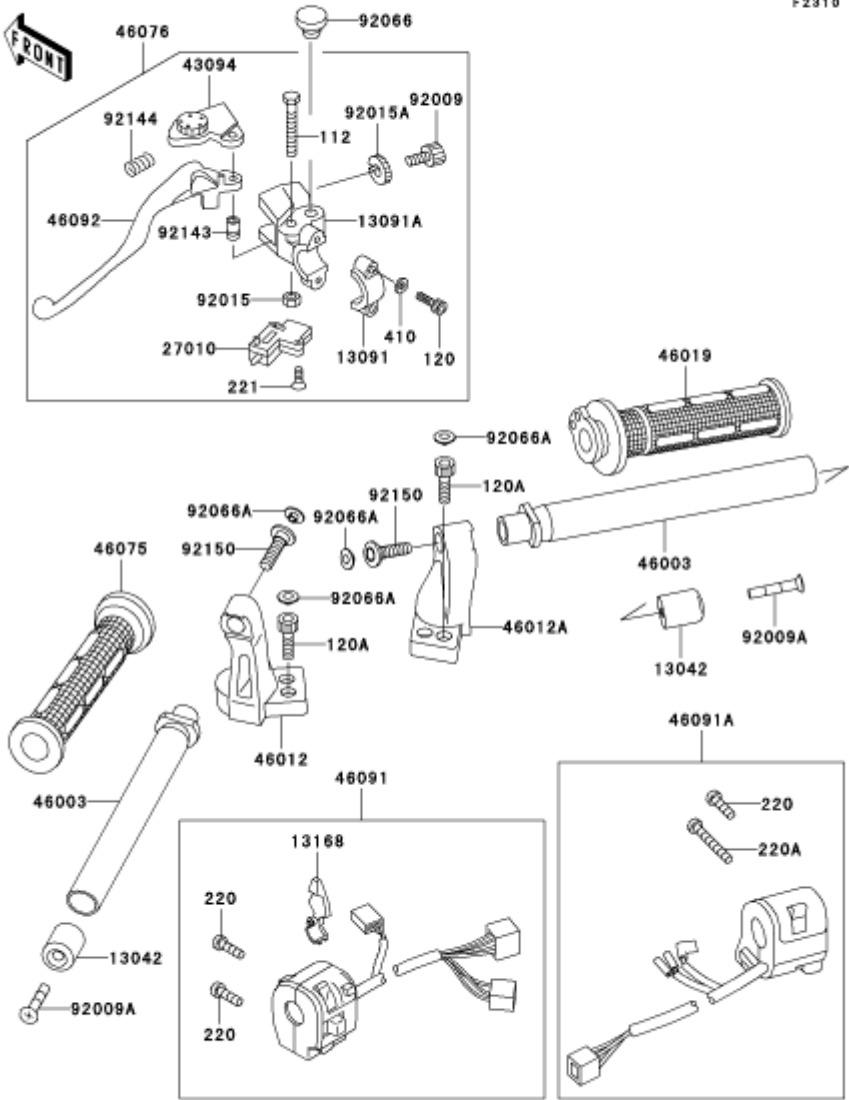


## GENERATOR (continued)

Ref #	Part #	Description	Qty	Spec Code
120	120P0625	BOLT-SOCKET,6X25	3	
130	130B0625	BOLT-FLANGED,6X25	2	
220	220B0510	SCREW-PAN-CROS	2	
21003	21003-1123	STATOR	1	
21050	21050-1162	FLYWHEEL	1	
21066	21066-1030	REGULATOR-VOLTAGE	1	
92002	92002-1457	BOLT,FLANGED,10X36	1	
92037	92037-1630	CLAMP,GENERATORLEAD	1	

# HANDLEBAR

F2310

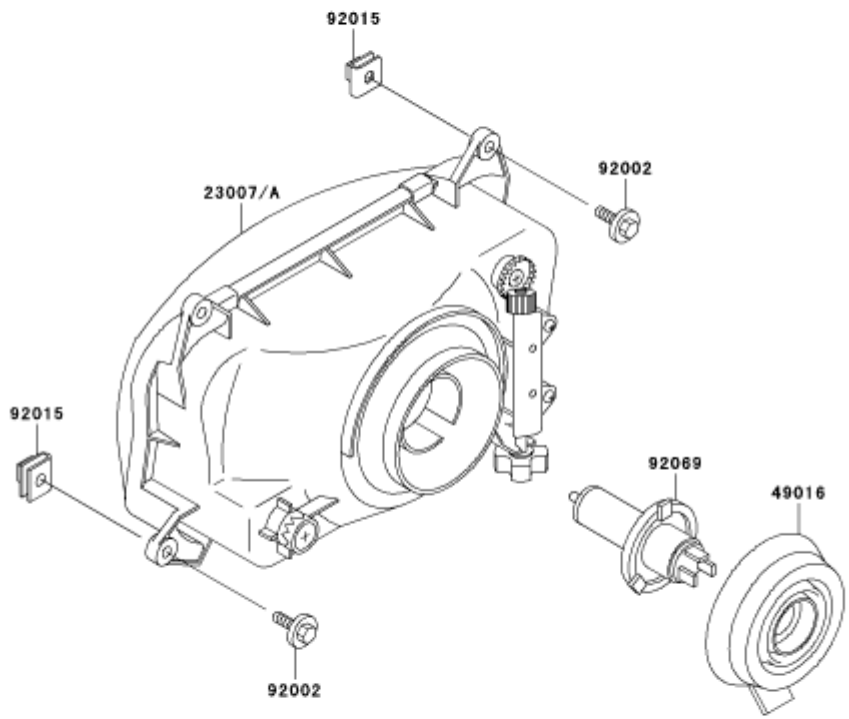


## HANDLEBAR (continued)

Ref #	Part #	Description	Qty	Spec Code
112	112C0640	BOLT-UPSET	1	
120	120S0620	BOLT-SOCKET,6X20	2	
120A	120S0816	BOLT-SOCKET	4	
220	220C0525	SCREW-PAN-CROS	3	
220A	220C0540	SCREW-PAN-CROS	1	
221	221C0316	SCREW-CSK-CROS	2	
410	410F0600	WASHER-PLAIN-SMALL,6MM,BLACK	2	
13042	13042-1069	WEIGHT,HANDLE	2	
13091	13091-1624	HOLDER,CLUTCHLEVER	1	
13091A	13091-1652	HOLDER,CLUTCHLEVER	1	
13168	13168-1516	LEVER,CHOKE	1	
27010	27010-1094	SWITCH,CLUTCH,BLACK	1	
43094	43094-1053	ADJUSTER,CLUTCHLEVER	1	
46003	46003-1390	HANDLE	2	
46012	46012-1248-10	HOLDER-HANDLE,LH,BLACK	1	
46012A	46012-1249-10	HOLDER-HANDLE,RH,BLACK	1	
46019	46019-1077	GRIP-ASSY,THROTTLE	1	
46075	46075-1088	GRIP,LH	1	
46076	46076-1165	LEVER-ASSY-GRIP,CLUTCH	1	
46091	46091-1671	HOUSING-ASSY-CONTROL,LH	1	
46091A	46091-1672	HOUSING-ASSY-CONTROL,RH	1	
46092	46092-1161	LEVER-GRIP,CLUTCH	1	
92009	92009-1134	SCREW,CABLEADJUST,8MM,BLACK	1	
92009A	92009-1257	SCREW,8X45	2	
92015	92015-1191	NUT,LOCK,6MM,BLACK	1	
92015A	92015-1197	NUT,CABLEADJUSTLOCK,8MM,BLK	1	
92066	92066-1077	PLUG,9.5X8,POLYETHYLENE	1	
92066A	92066-1216	PLUG	6	
92143	92143-1379	COLLAR	1	
92144	92144-1467	SPRING	1	
92150	92150-1425	BOLT,8X30	2	

# HEADLIGHT(S)

F2710

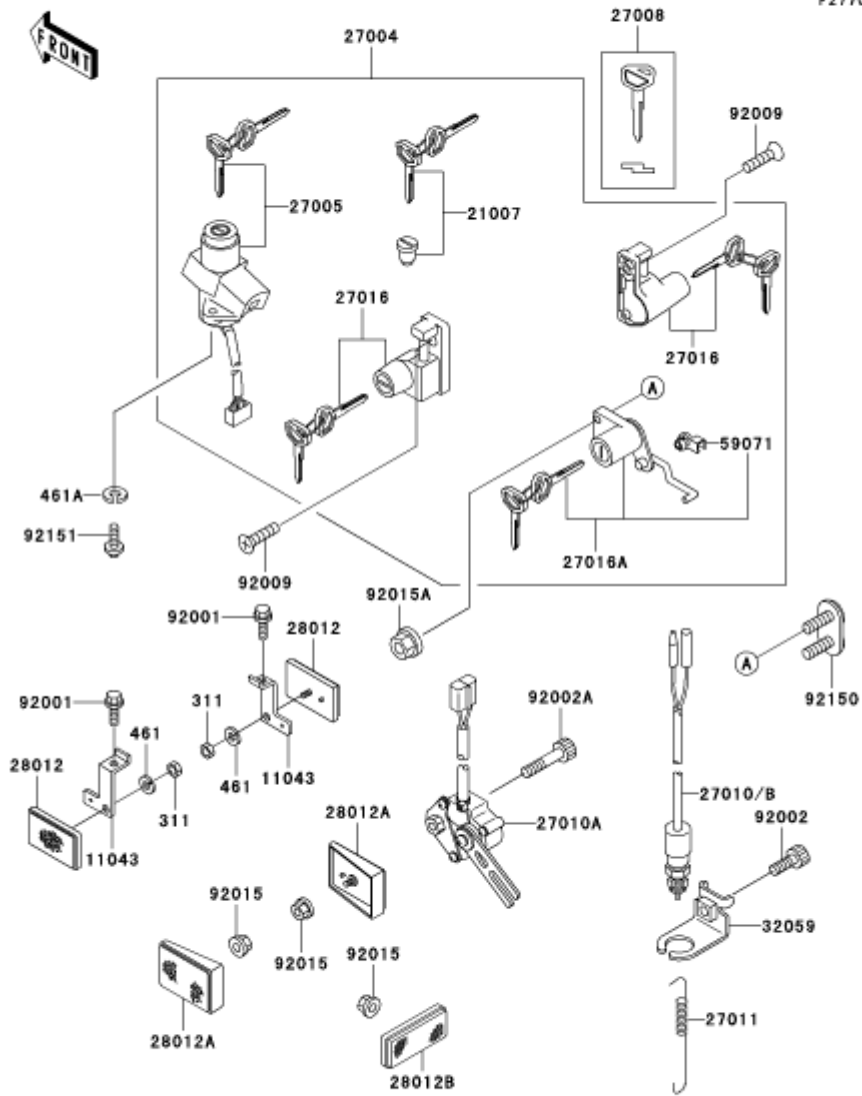


## HEADLIGHT(S) (continued)

Ref #	Part #	Description	Qty	Spec Code
23007A	23007-1375	LENS-COMP,HEADLAMP	1	
49016	49016-1137	COVER-SEAL,HEADLAMPSOCKET	1	
92002	92002-1262	BOLT,6X22	4	
92015	92015-1602	NUT,6MM	4	
92069	92069-1002	BULB,12V60/55W,H4	1	

# IGNITION SWITCH/LOCKS/REFLECTORS

F2770

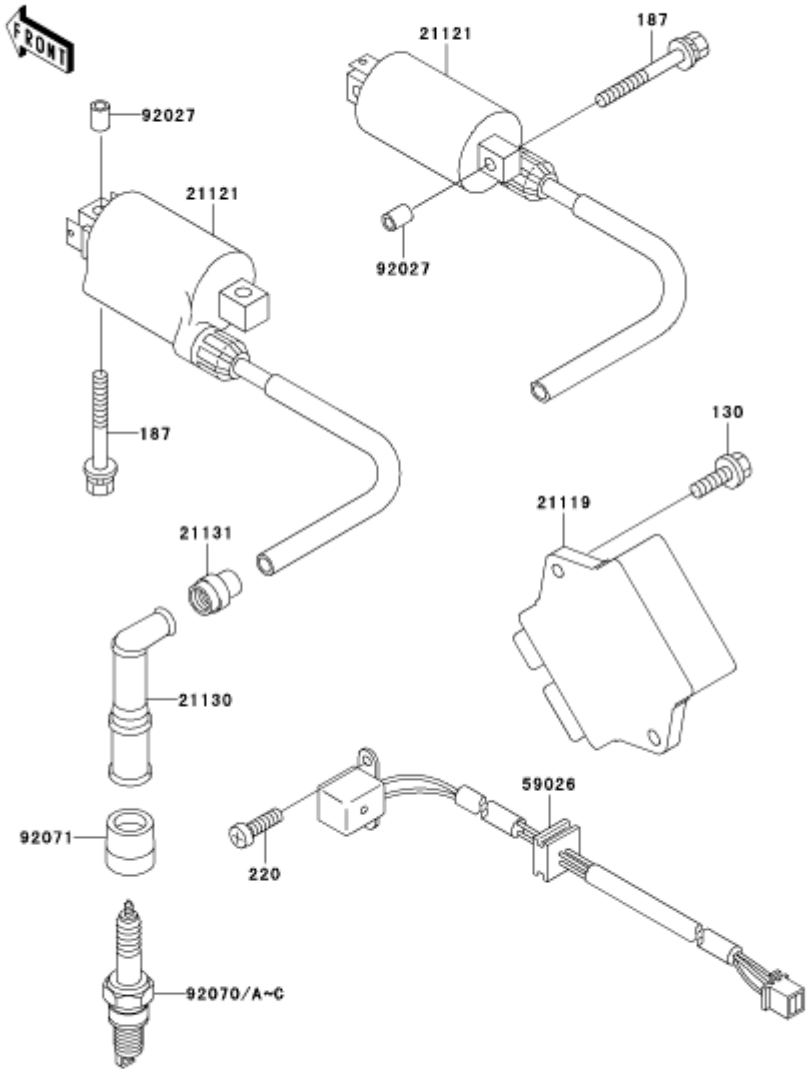


## IGNITION SWITCH/LOCKS/REFLECTORS (continued)

Ref #	Part #	Description	Qty	Spec Code
311	311B0500	NUT-HEX	2	
461	461F0500	WASHER-SPRING,5MM	2	
461A	461L0600	WASHER-SPRING	2	
11043	11043-1423	BRACKET,FR,REFLECTOR	2	
21007	21007-5037	ROTOR,LOCK,TANKCAP	1	
27004	27004-5464	SWITCH-ASSY	1	
27005	27005-5101	SWITCH-ASSY-IGNITION	1	
27008	27008-1173	KEY-LOCK,BLANK	1	(OPTION)
27010	27010-1152	SWITCH,BRAKELAMP	1	
27010A	27010-1394	SWITCH,SIDESTAND	1	
27011	27011-006	SPRING,BRAKELAMPSWITCH	1	
27016	27016-5211	LOCK-ASSY,HELMET	2	
27016A	27016-5217	LOCK-ASSY,SEAT	1	
28012	28012-1003	REFLECTOR-REFLEX	2	
28012A	28012-1056	REFLECTOR-REFLEX,RR	2	
28012B	28012-1077	REFLECTOR-REFLEX	1	
32059	32059-1121	BRACKET-SWITCH,REARBRAKE	1	
59071	59071-1103	JOINT	2	
92001	92001-1847	BOLT,6X14,BLACK	2	
92002	92002-1175	BOLT,SOCKET,6X14	1	
92002A	92002-1537	BOLT,6X28	1	
92009	92009-1305	SCREW,5X18	2	
92015	92015-1259	NUT,FLANGED,5MM	3	
92015A	92015-1328	NUT,FLANGED,5MM	2	
92150	92150-1820	BOLT,SEATLOCK	1	
92151	92151-1911	BOLT,TORX,6X16	2	

# IGNITION SYSTEM

E1830

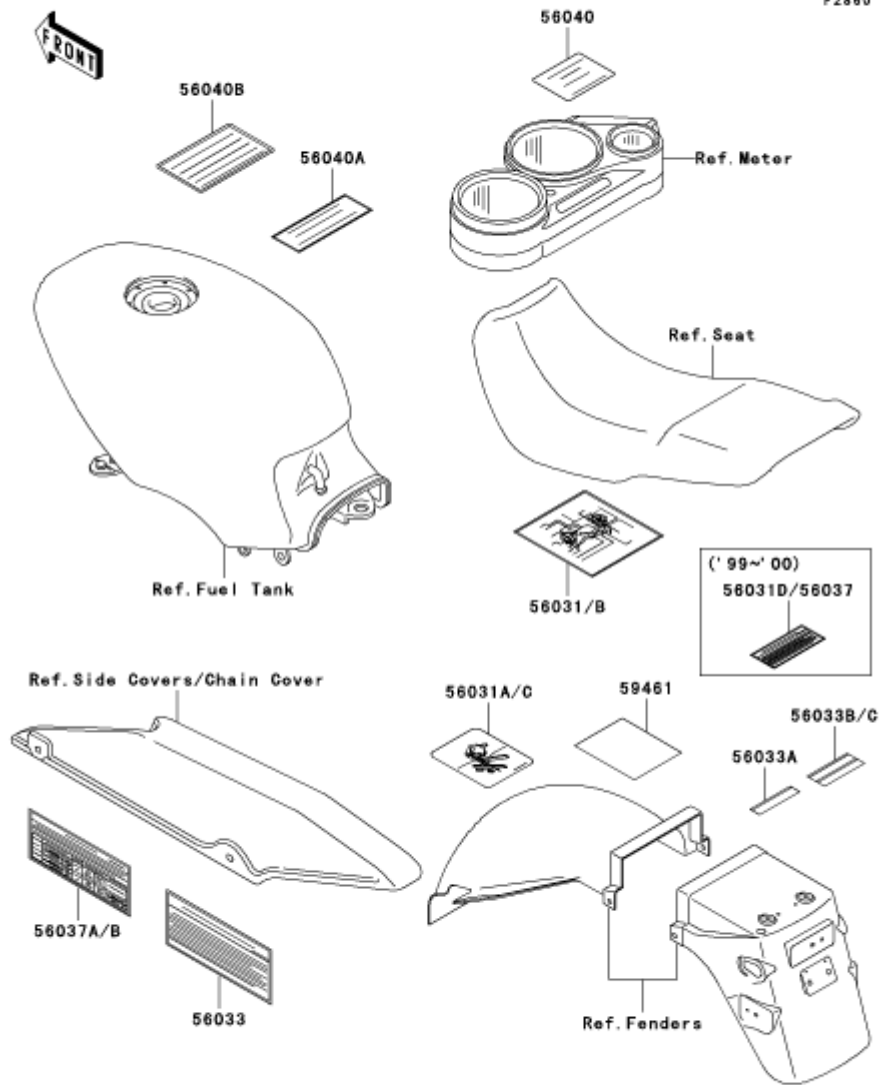


## IGNITION SYSTEM (continued)

Ref #	Part #	Description	Qty	Spec Code
130	130H0616	BOLT-FLANGED,6X16	2	
187	187G0625	BOLT-UPSET-WSP	4	
220	220B0510	SCREW-PAN-CROS	2	
21119	21119-1408	IGNITER	1	
21121	21121-1153	COIL-IGNITION	2	
21130	21130-1068	CAP-SPARKPLUG	2	
21131	21131-005	GROMMET,HIGHTENSION	2	
59026	59026-1126	COIL-PULSING	1	
92027	92027-103	COLLAR,6.8X10X6	4	
92070		PLUG-SPARK,X24ESR-U(ND)	2	(LOCALPROCUREMENTITEM)(OPTION)
92070A		PLUG-SPARK,X27ESR-U(ND)	2	(LOCALPROCUREMENTITEM)
92070B	92070-1189	PLUG-SPARK,DR9EA(NGK)	2	
92070C	92070-1199	PLUG-SPARK,DR8EA(NGK)	2	(OPTION)
92071	92071-1146	GROMMET,PLUGCAP	2	

# LABELS

F2880

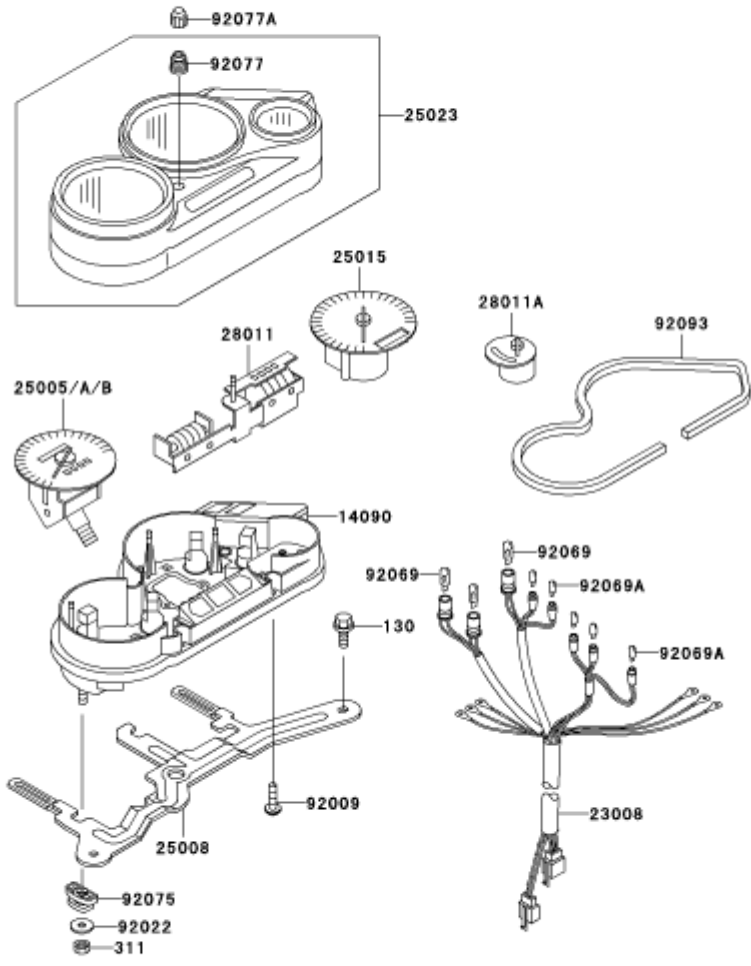


## LABELS (continued)

Ref #	Part #	Description	Qty	Spec Code
56031	56031-1874	LABEL-MANUAL,DAILYSAFETY	1	[CA,US]
56031A	56031-1875	LABEL-MANUAL,BATTERYVENT	1	[CA,US]
56031B	56031-1877	LABEL-MANUAL,DAILYSAFETY	1	[CN]
56031C	56031-1878	LABEL-MANUAL,BATTERYVENT	1	[CN]
56031D	56031-1882	LABEL-MANUAL,OIL&amOILFILTER	1	[CN]
56033	56033-1060	LABEL-MANUAL,CHAIN	1	
56037	56037-1301	LABEL-SPECIFICATION,OILFILTER	1	[CA,US]
56037A	56037-1641	LABEL-SPECIFICATION,TIRE&amLOAD	1	[CA,US]
56037B	56037-1643	LABEL-SPECIFICATION,TIRE&amLOAD	1	[CN]
56040	56040-1007	LABEL-WARNING,BREAKINCAUTION	1	[CA,US]
56040A	56040-1008	LABEL-WARNING,BREAKINCAUTION	1	[CA,US]
56040B	56040-1121	LABEL-WARNING,EVAPO	1	[CA]
59461	59461-1528	LABEL-CERTIFICATION,EVAPOROUT	1	[CA]

# METER(S)

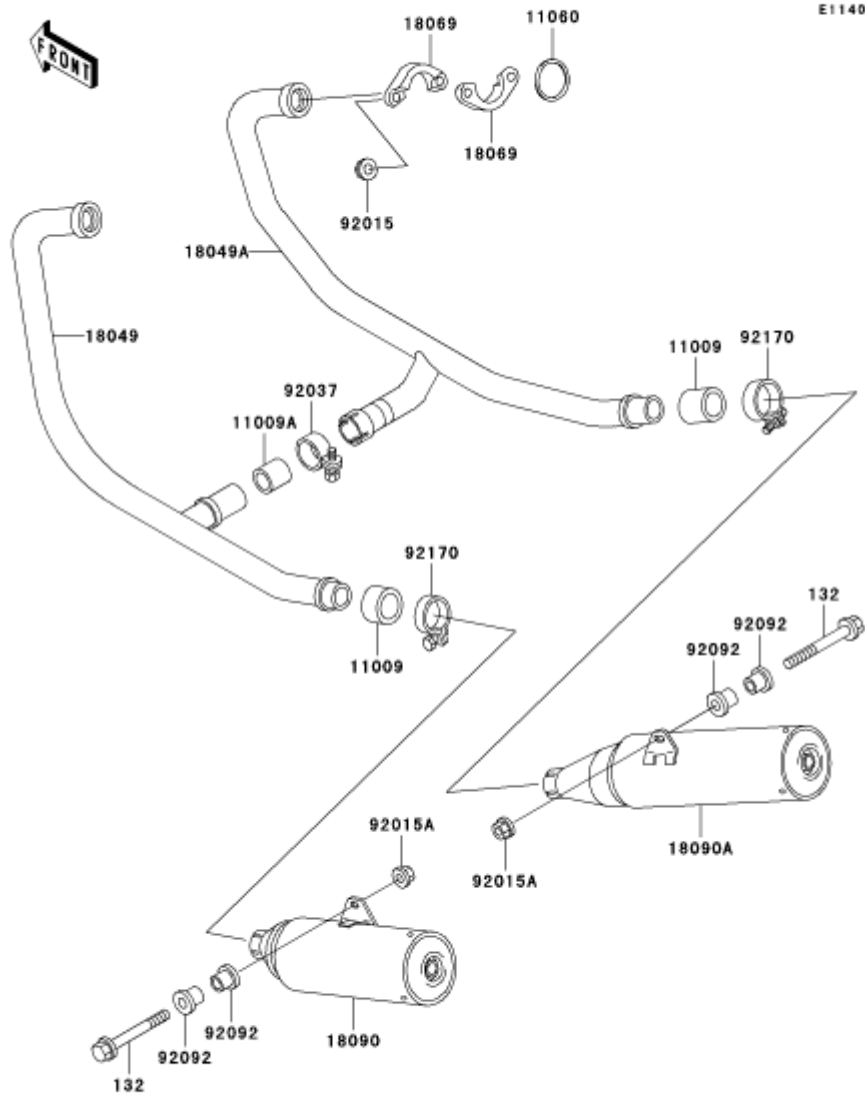
F2530



## METER(S) (continued)

Ref #	Part #	Description	Qty	Spec Code
130	130C0612	BOLT-FLANGED,6X12	2	
311	311B0500	NUT-HEX	3	
14090	14090-1869	COVER,METERHOUSING	1	
23008	23008-1431	SOCKET-ASSY,METER	1	
25005	25005-1554	SPEEDOMETER,MPH	1	[CA,US]
25005A	25005-1555	SPEEDOMETER,KPH	1	[CN]
25008	25008-1160	BRACKET-METER	1	
25015	25015-1327	TACHOMETER,X1000R/MIN	1	
25023	25023-1167	COVER-METERCASE,UPP	1	
28011	28011-1118	METER,TRIP	1	
28011A	28011-1144	METER,TEMP	1	
92009	92009-1163	SCREW,TAPPING,4X16	5	
92022	92022-263	WASHER,5.2X16X1.2	3	
92069	92069-1059	BULB,12V1.7W,T10	3	
92069A	92069-1068	BULB,12V3W,T6.5	5	
92075	92075-1495	DAMPER,METERBRACKET	3	
92077	92077-1087	KNOB,TRIPRESET	1	
92077A	92077-1094	KNOB,TRIPRESET	1	
92093	92093-1373	SEAL	1	

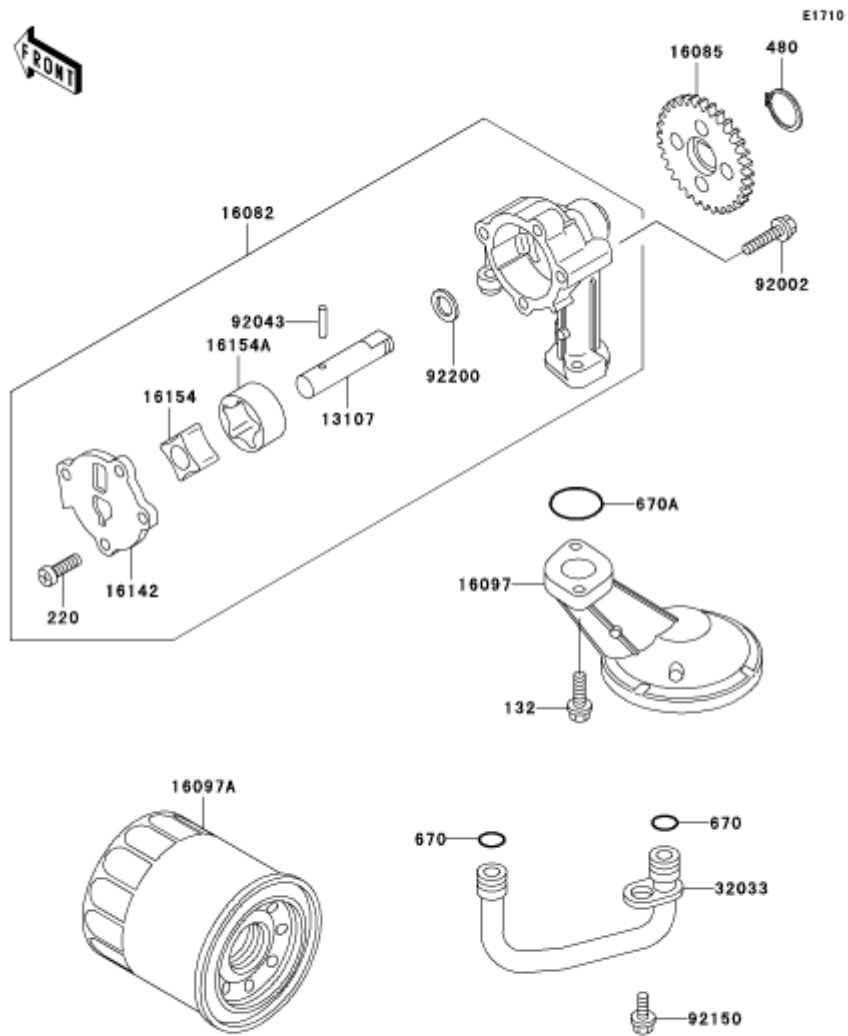
# MUFFLER(S)



## MUFFLER(S) (continued)

Ref #	Part #	Description	Qty	Spec Code
132	132J1065	BOLT-FLANGED-SMALL	2	
11009	11009-1667	GASKET,EXHAUSTPIPECONNECTING	2	
11009A	11009-1865	GASKET,MUFFLERCONNECTING	1	
11060	11060-1764	GASKET,EXHAUSTPIPEHOLDER	2	
18049	18049-1402	PIPE-EXHAUST,LH	1	
18049A	18049-1403	PIPE-EXHAUST,RH	1	
18069	18069-1122	HOLDER-EXHAUSTPIPE	4	
18090	18090-1331	BODY-COMP-MUFFLER,LH	1	
18090A	18090-1332	BODY-COMP-MUFFLER,RH	1	
92015	92015-1174	NUT,CAP,8MM,BLACK	4	
92015A	92015-1387	NUT,FLANGED,10MM	2	
92037	92037-1792	CLAMP,39.5MM	1	
92092	92092-010	BUSHING-RUBBER,MUFFLERFITTING	4	
92170	92170-1469	CLAMP	2	

# OIL PUMP/OIL FILTER



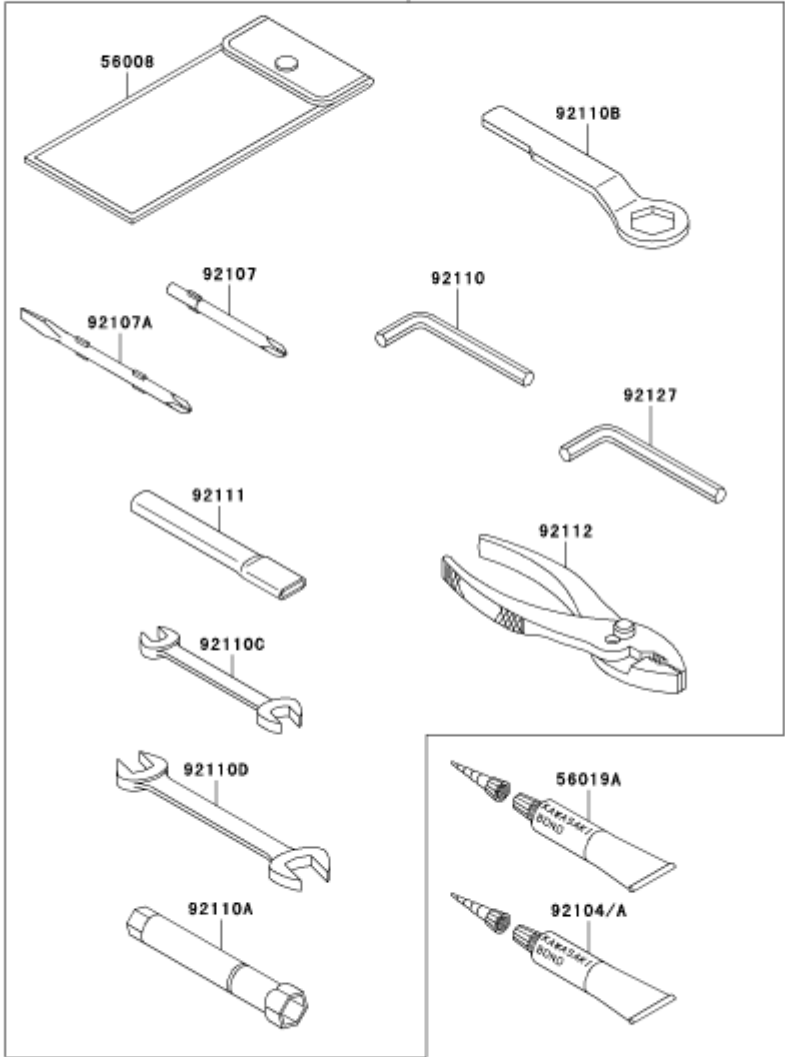
## OIL PUMP/OIL FILTER (continued)

Ref #	Part #	Description	Qty	Spec Code
132	132G0620	BOLT-FLANGED-SMALL	2	
220	220B0616	SCREW-PAN-CROS,6X16	4	
480	480J1100	CIRCLIP-TYPE-C,11MM	1	
670	670B2010	ORING,10MM	2	
670A	670D2022	ORING,22MM	1	
13107	13107-1366	SHAFT,OILPUMP	1	
16082	16082-1147	PUMP-ASSY-OIL	1	
16085	16085-1143	GEAR,OILPUMP	1	
16097	16097-1056	FILTER-ASSY-OIL	1	
16097A	16097-1066	FILTER-ASSY-OIL	1	
16142	16142-1141	COVER-PUMP,OIL	1	
16154	16154-1111	ROTOR-PUMP,INNER	1	
16154A	16154-1112	ROTOR-PUMP,OUTER	1	
32033	32033-1540	PIPE	1	
92002	92002-1609	BOLT,6X25	3	
92043	92043-1543	PIN	1	
92150	92150-1826	BOLT,6X12	1	
92200	92200-1334	WASHER	1	

# OWNER'S TOOLS

56007

F2810



## OWNER'S TOOLS (continued)

Ref #	Part #	Description	Qty	Spec Code
56007	56007-1386	TOOL-KIT	1	
56008	56008-1075	BAG, TOOL	1	
56019A	56019-120	THREEBONDTB1211, HT/RS, WHITE	1	
92104	92104-002	GASKET-LIQUID, TUBE, 100G, SILVER	1	
92104A	92104-1063	GASKET-LIQUID, SILVERTB1216	AR	
92107	92107-005	TOOL-DRIVER, #3PHILLIPS	1	
92107A	92107-1053	TOOL-DRIVER, #2PHILLIPS	1	
92110	92110-1015	TOOL-WRENCH, ALLEN, 5MM	1	
92110A	92110-1110	TOOL-WRENCH, BOX, 18MM	1	
92110B	92110-1150	TOOL-WRENCH, BOXEND, 24MM	1	
92110C	92110-1152	TOOL-WRENCH, OPENEND, 10X12	1	
92110D	92110-1153	TOOL-WRENCH, OPENEND, 14X17	1	
92111	92111-1051	TOOL-BAR, BOXENDWRENCH	1	
92112	92112-1001	TOOL-PLIERS	1	
92127	92127-003	TOOL-WRENCH, ALLEN, 6MM	1	

PUBLICATIONS

**Publications available  
from Kawasaki**

## PUBLICATIONS (continued)

Ref #	Part #	Description	Qty	Spec Code
	99920-1951-01	Owner'sManual	1	
	99931-1064-03	A&amPManual	1	
	99931-1293-05	A&amPManual	1	
	99924-1056-04	ServiceManual	1	
	99924-1172-51	ServiceManual	1	
	99961-0471	Microfiche	1	

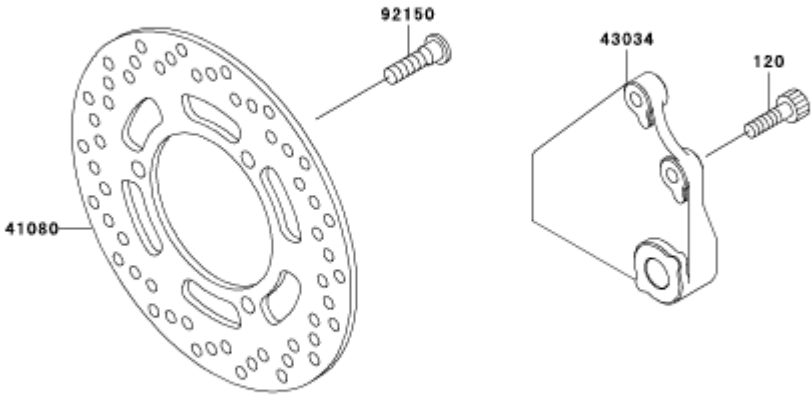
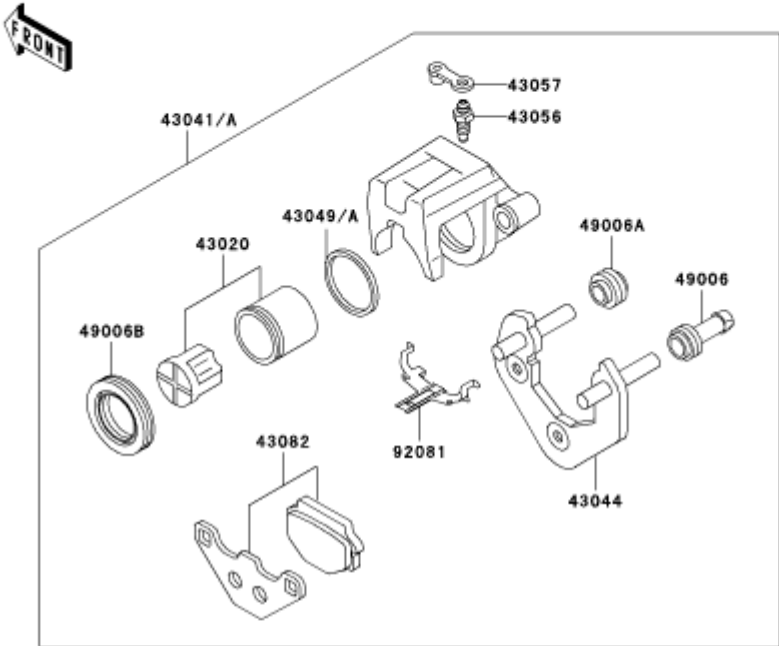


## RADIATOR (continued)

Ref #	Part #	Description	Qty	Spec Code
130	130B0614	BOLT-FLANGED	2	
130A	130J0620	BOLT-FLANGED	4	
132	132G0616	BOLT-FLANGED-SMALL	2	
132A	132G0620	BOLT-FLANGED-SMALL	3	
220	220B0612	SCREW-PAN-CROS,6X12	2	
670	670B2014	ORING,14MM	2	
670A	670B2018	ORING,18MM	2	
11009	11009-1145	GASKET,RESERVOIRTANKCAP	1	
11012	11012-1084	CAP	1	
14037	14037-1143	SCREEN	1	
14075	14075-1085	CAP-ASSY,RADIATOR	1	
16160	16160-1138	BODY,THERMOSTAT,LWR	1	
16160A	16160-1170	BODY,THERMOSTAT,UPP	1	
27010	27010-1304	SWITCH,THERMOSTAT	1	
32102	32102-1405	PIPE,PUMP-CYLINDER	1	
32102A	32102-1473	PIPE	2	
39060	39060-1084	RADIATOR	1	
39062	39062-1195	HOSE-COOLING,L=447	1	
39062A	39062-1222	HOSE-COOLING,RADIATOR-PUMP	1	
39062B	39062-1223	HOSE-COOLING,CAP-RADIATOR	1	
39062C	39062-1224	HOSE-COOLING,THERMO-HEAD,LH	1	
39062D	39062-1225	HOSE-COOLING,THERMO-HEAD,RH	1	
39062E	39062-1257	HOSE-COOLING	1	
43078	43078-1084	RESERVOIR	1	
49054	49054-1059	THERMOSTAT	1	
49085	49085-1066	CAP-ASSY-PRESSURE	1	
59502	59502-1070	FAN-ASSY	1	
92001	92001-1516	BOLT,W/WASHER,6X12	2	
92009	92009-1480	SCREW,6X12	2	
92015	92015-1487	NUT	3	
92015A	92015-1758	NUT,6MM	2	
92027	92027-1651	COLLAR,FLANGED,L=12.1,BLACK	4	
92037	92037-1316	CLAMP,HARNESS	1	
92037A	92037-147	CLAMP,TUBE	3	
92055	92055-1279	RING-O,44.7X2.4	1	
92066	92066-1118	PLUG,SENSOR,WATER	1	
92075	92075-277	DAMPER	4	
92150	92150-1186	BOLT,6X12	3	
92170	92170-1077	CLAMP,COOLINGHOSE	4	
92170A	92170-1286	CLAMP,COOLINGHOSE	4	
670B	670B2020	ORING,20MM	1	

# REAR BRAKE

F2294

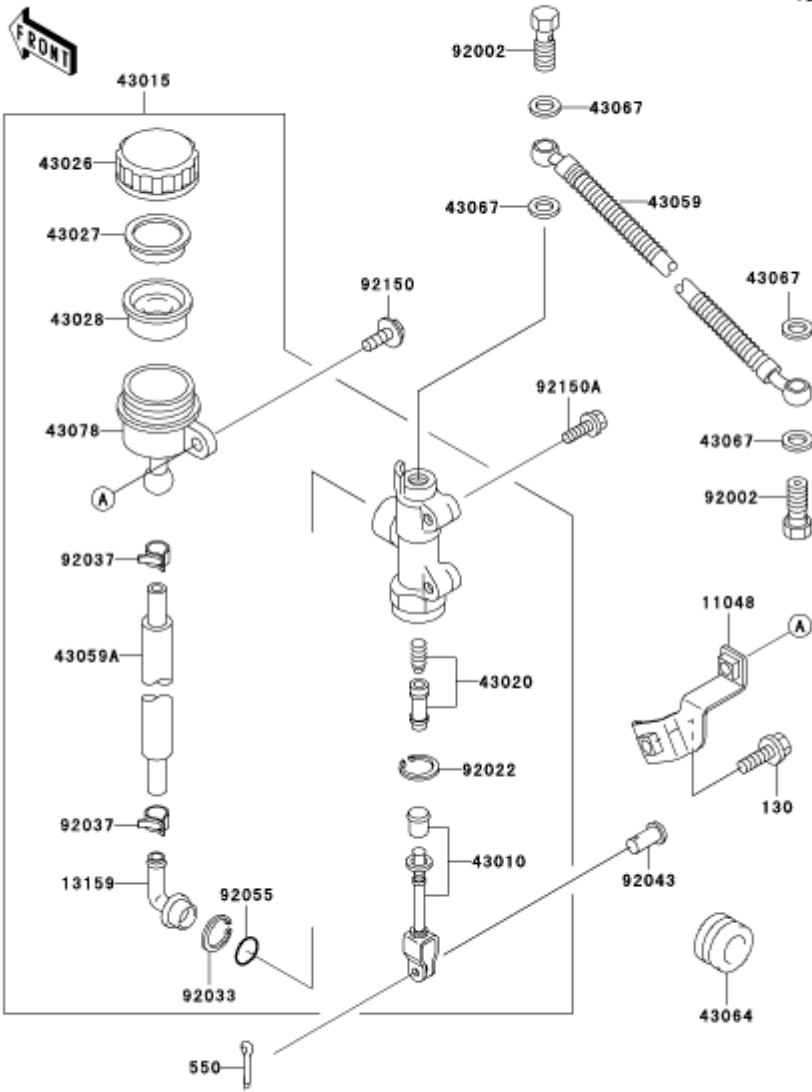


## REAR BRAKE (continued)

Ref #	Part #	Description	Qty	Spec Code
120	120P0816	BOLT-SOCKET	2	
41080	41080-1251-FB	DISC,RR,C.GRAY	1	
43020	43020-1082	PISTON-COMP-BRAKE	1	
43034	43034-1131	HOLDER-BRAKE,REARCALIPER	1	
43041	43041-1529-DJ	CALIPER-ASSY,RR,BLACK	1	
43044	43044-1075	HOLDER-COMP-CALIPER,RR	1	
43049	43049-1026	PACKING,PISTONSEAL	1	
43056	43056-1054	BREATHER-BRAKE	1	
43057	43057-003	CAP-BREATHER	1	
43082	43082-1163	PAD-ASSY-BRAKE	1	
49006	49006-1054	BOOT,CALIPER	1	
49006A	49006-1055	BOOT,CALIPER	1	
49006B	49006-1091	BOOT,PISTON	1	
92081	92081-1341	SPRING,PAD	1	
92150	92150-1771	BOLT,SOCKET,8X30	3	

# REAR MASTER CYLINDER

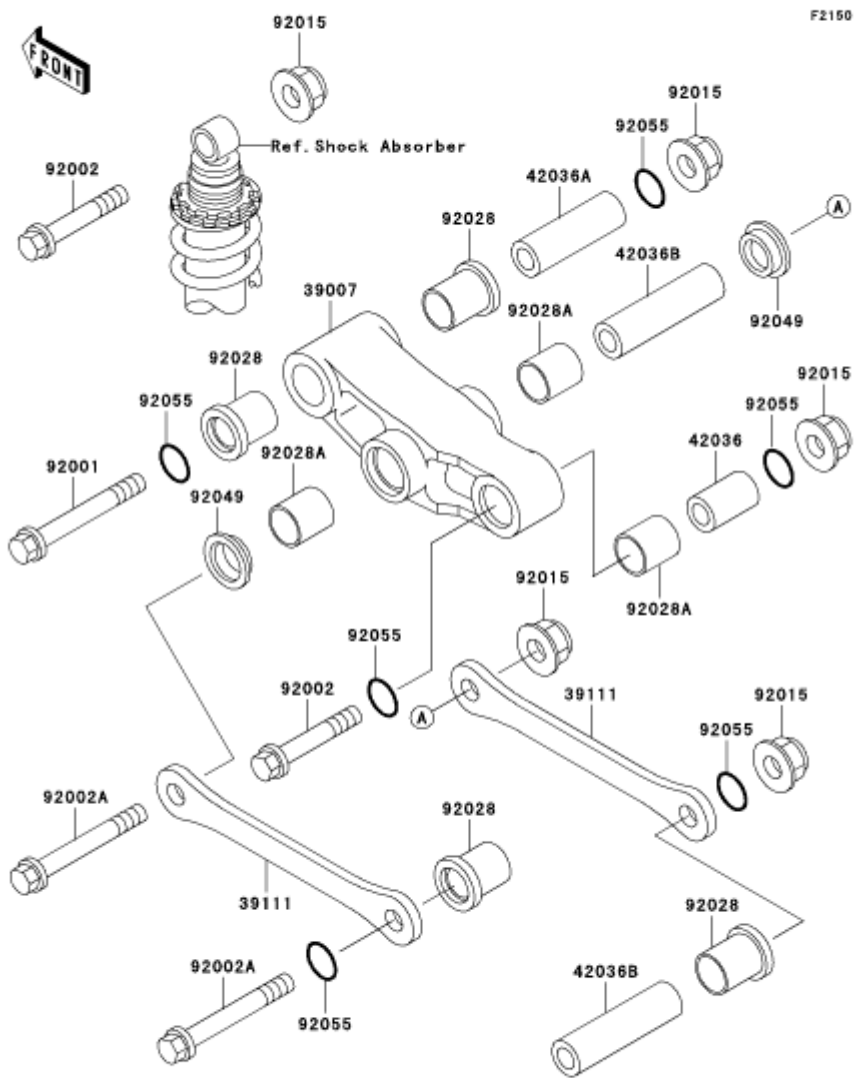
F2293



## REAR MASTER CYLINDER (continued)

Ref #	Part #	Description	Qty	Spec Code
130	130J0612	BOLT-FLANGED	1	
550	550D2015	PIN-COTTER,2.0X15	1	
11048	11048-1363	BRACKET,RESERVOIRTANK	1	
13159	13159-1056	CONNECTOR	1	
43010	43010-1055	ROD-ASSY-BRAKE	1	
43015	43015-1555	CYLINDER-ASSY-MASTER,RR	1	
43020	43020-1094	PISTON-COMP-BRAKE	1	
43026	43026-1077	CAP-BRAKE	1	
43027	43027-1053	PLATE-DIAPHRAGM	1	
43028	43028-1065	DIAPHRAGM	1	
43059	43059-1779	HOSE-BRAKE,RR	1	
43059A	43059-1780	HOSE-BRAKE,RRMASTERCYLINDER	1	
43064	43064-007	GROMMET,HOSECLAMP	1	
43067	43067-001	WASHER,10.5X15X1.5	4	
43078	43078-1080	RESERVOIR	1	
92002	92002-1907	BOLT,OIL,L=23	2	
92022	92022-1601	WASHER,CIRCRIP	1	
92033	92033-1186	RING-SNAP,20.5MM	1	
92037	92037-1710	CLAMP	2	
92043	92043-1303	PIN,8MM	1	
92055	92055-1251	RING-O,MASTERCYLINDER	1	
92150	92150-1198	BOLT,6X16	1	
92150A	92150-1843	BOLT,SOCKET,8X30	2	

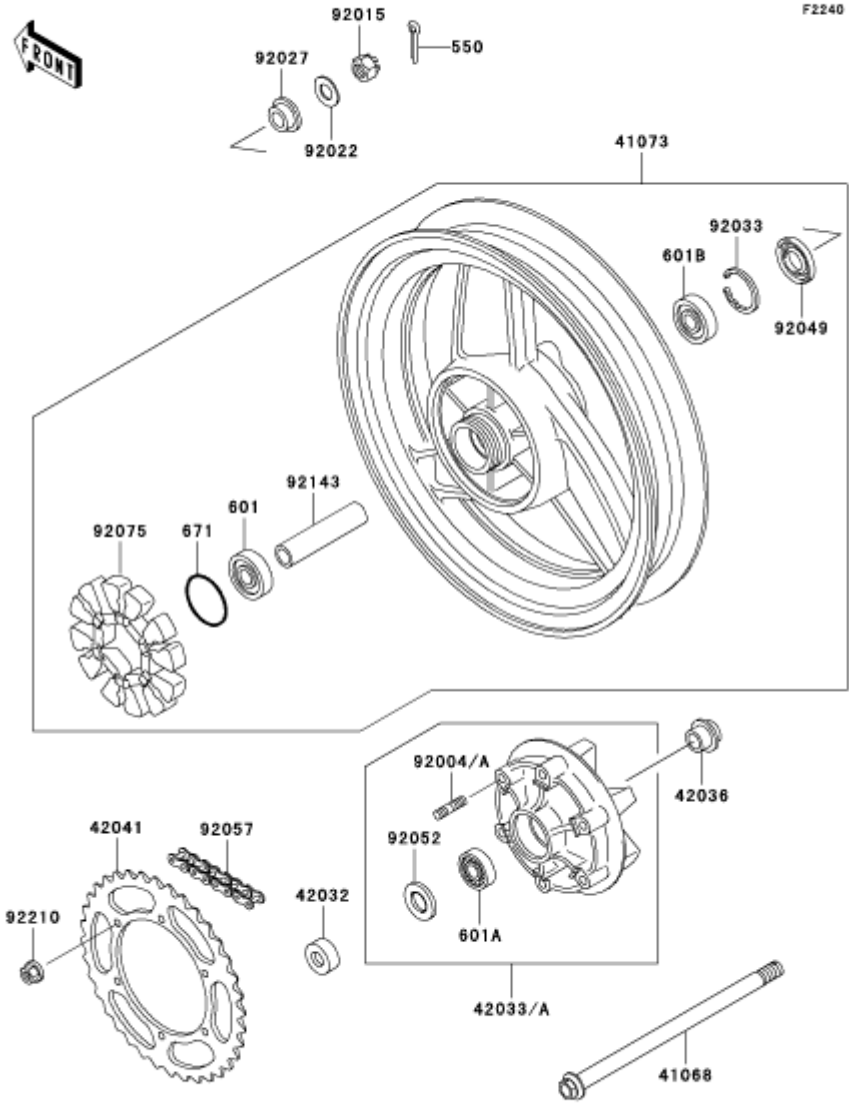
# REAR SUSPENSION



## REAR SUSPENSION (continued)

Ref #	Part #	Description	Qty	Spec Code
39007	39007-1120	ARM-SUSP,UNITRAK	1	
39111	39111-1133	ROD-TIE,SUSPENSION	2	
42036	42036-1077	SLEEVE,ARM,RR	1	
42036A	42036-1078	SLEEVE,ARM,FR	1	
42036B	42036-1102	SLEEVE,12.1X20X74	2	
92001	92001-1937	BOLT,12X90	1	
92002	92002-1130	BOLT,12X55	2	
92002A	92002-1886	BOLT,FLANGED,12X100	2	
92015	92015-1433	NUT,FLANGED,12MM	5	
92028	92028-1597	BUSHING	4	
92028A	92028-1598	BUSHING	3	
92049	92049-1109	SEAL-OIL,ARM,CNT	2	
92055	92055-1215	RING-O,19.8X2.2	6	

# REAR WHEEL/CHAIN

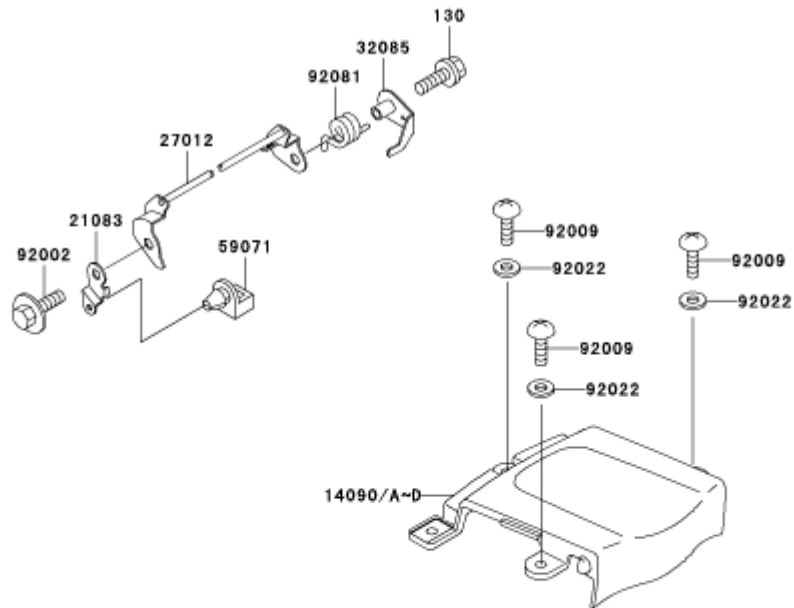
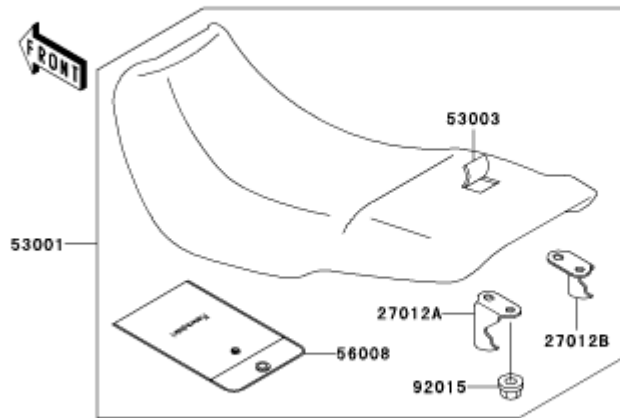


## REAR WHEEL/CHAIN (continued)

Ref #	Part #	Description	Qty	Spec Code
550	550D4035	PIN-COTTER,4.OX35	1	
601	601B6203UU	BEARING-BALL,#6203UUC3	1	
601A	601B6205G	BEARING-BALL,#6205G	1	
601B	601B6303UU	BEARING-BALL,#6303UUC3	1	
671	671B2550	ORING	1	
41068	41068-1223	AXLE,RR	1	
41073	41073-1474-GE	WHEEL-ASSY,RR,G.GRAY	1	
42032	42032-063	COLLAR,RRAXLE,L=13	1	
42033	42033-1191-7J	COUPLING-ASSY,RRHUB,M.SILVER	1	
42036	42036-1055	SLEEVE,RRHUB,L=30	1	
42041	42041-1354	SPROCKET-HUB,41T	1	
92004	92004-1151	STUD,10X19	6	
92015	92015-1947	NUT,CASTLE,16MM	1	
92022	92022-1916	WASHER,17.5X34X2.0	1	
92027	92027-1785	COLLAR,RRHUB	1	
92033	92033-1042	RING-SNAP,47MM	1	
92049	92049-1056	SEAL-OIL,BJN28475	1	
92052	92052-006	SEAL-OIL,TWC35527	1	
92057	92057-1296	CHAIN,DRIVE,EK520SX-OX104L	1	
92075	92075-1436	DAMPER,RRHUBSHOCK	1	
92143	92143-1416	COLLAR,RRHUB,L=111	1	
92210	92210-1258	NUT,10MM	6	

# SEAT

F2510

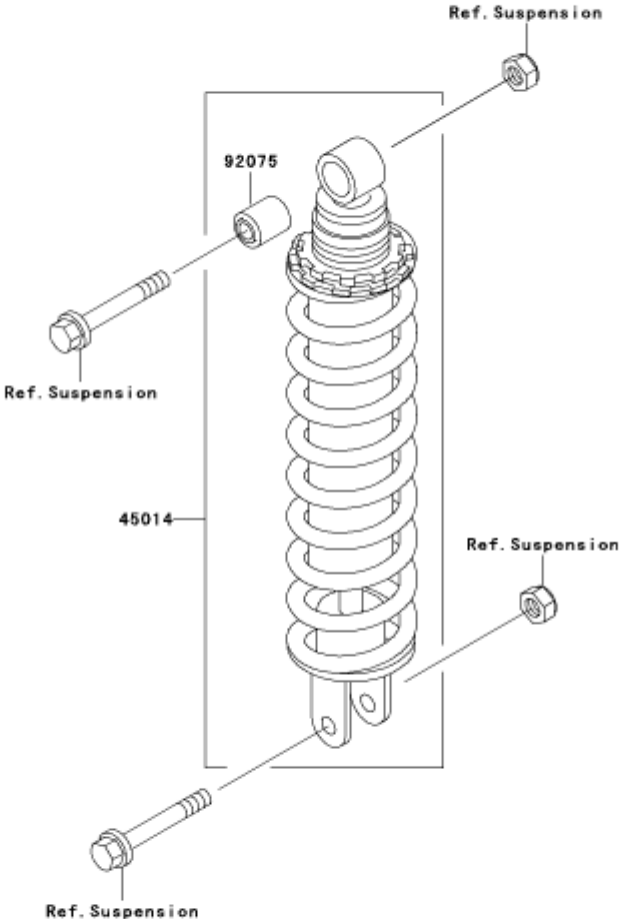


## SEAT (continued)

Ref #	Part #	Description	Qty	Spec Code
130	130J0625	BOLT-FLANGED,6X25	1	
14090B	14090-1369-E1	COVER,SEAT,C.L.BLUE	1	
14090C	14090-1369-H8	COVER,SEAT,EBONY	1	[CN]
21083	21083-1063	ARM,SEATLOCK	1	
27012	27012-1363	HOOK,SEATLOCK	1	
27012A	27012-1377	HOOK,SEAT,LH	1	
27012B	27012-1378	HOOK,SEAT,RH	1	
32085	32085-1270	STOPPER,SEATLOCKSPRING	1	
53001	53001-1726-MA	SEAT-ASSY,DUAL,BLACK	1	
53003	53003-1284-MA	LEATHER,SEAT,BLACK	1	
56008	56008-1066	BAG,HANDBOOK	1	
59071	59071-1103	JOINT	1	
92002	92002-1884	BOLT,6X12	1	
92009	92009-1654	SCREW,5X16,BLACK	3	
92015	92015-1078	NUT,FLANGED,6MM	4	
92022	92022-1521	WASHER,NYLON,5.3X11.5X1.5	3	
92081	92081-1982	SPRING	1	

# SHOCK ABSORBER(S)

F2280

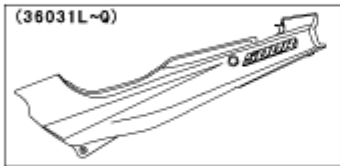
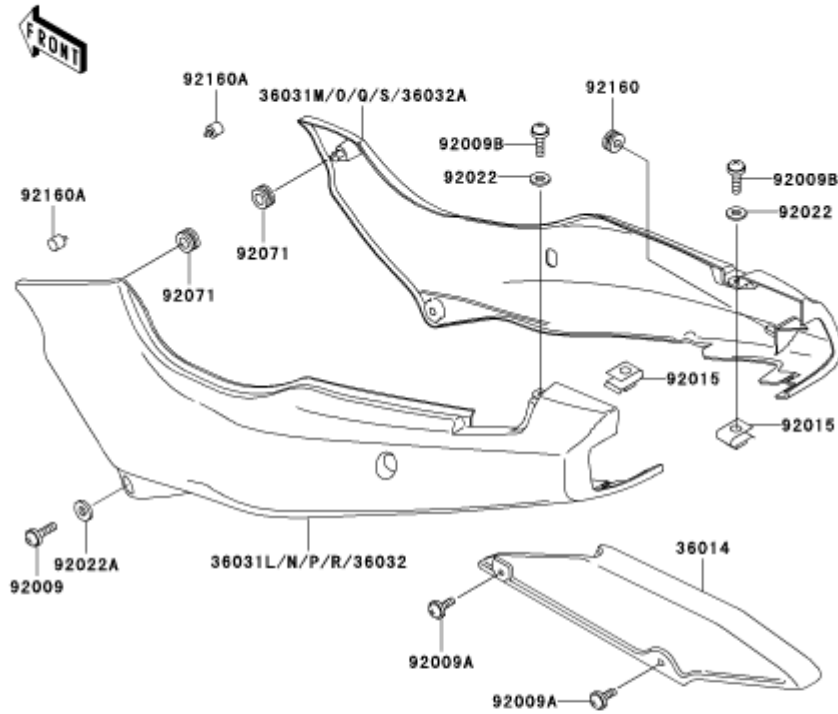


## SHOCK ABSORBER(S) (continued)

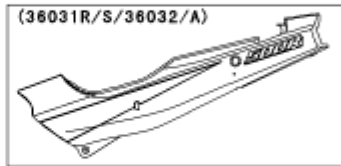
Ref #	Part #	Description	Qty	Spec Code
45014	45014-1365	SHOCKABSORBER	1	
92075	92075-1497	DAMPER,SHOCKABSORBER	1	

# SIDE COVERS/CHAIN COVER

F2610



(36031L/M)	Red
(36031N/O)	Blue
(36031P/Q)	Ebony



(36031R/S)	Graystone
(36032/A)	Gray

## SIDE COVERS/CHAIN COVER (continued)

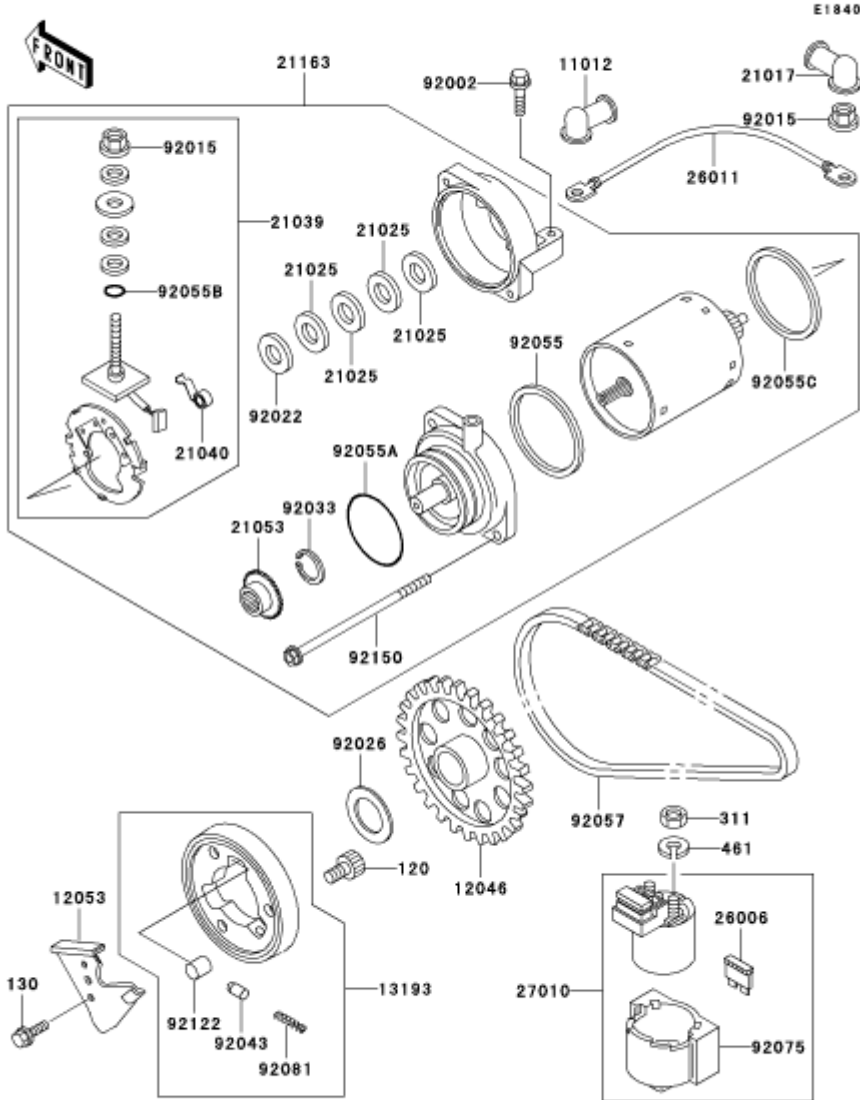
Ref #	Part #	Description	Qty	Spec Code
36014	36014-1164	CASE-CHAIN	1	
36031N	36031-5322-E1	COVER-SIDE-LH,C.L.BLUE	1	
36031O	36031-5323-E1	COVER-SIDE-RH,C.L.BLUE	1	
36031P	36031-5345-H8	COVER-SIDE,LH,EBONY	1	[CN]
36031Q	36031-5346-H8	COVER-SIDE,RH,EBONY	1	[CN]
92009	92009-1288	SCREW,6X14	2	
92009A	92009-1402	SCREW,6X10	2	
92009B	92009-1654	SCREW,5X16,BLACK	2	
92015	92015-1710	NUT,5MM	2	
92022	92022-1521	WASHER,NYLON,5.3X11.5X1.5	2	
92022A	92022-1654	WASHER,6.5X16X1.0	2	
92071	92071-056	GROMMET	2	
92160	92160-1162	DAMPER	2	
92160A	92160-1555	DAMPER	2	



## STAND(S) (continued)

Ref #	Part #	Description	Qty	Spec Code
130	130J0816	BOLT-FLANGED,8X16,BLACK	2	
32043	32043-1439	BRACKET-STAND,SIDE	1	
34011	34011-1158	STAND-CENTER	1	
34024	34024-1360	STAND-SIDE	1	
92002	92002-1813	BOLT,SIDESTAND	1	
92002A	92002-1954	BOLT,CENTERSTAND	2	
92015	92015-1188	NUT,LOCK,10MM,BLACK	3	
92075	92075-1045	DAMPER	1	
92144	92144-1101	SPRING,CENTERSTAND	1	
92145	92145-1239	SPRING,SIDESTAND	1	

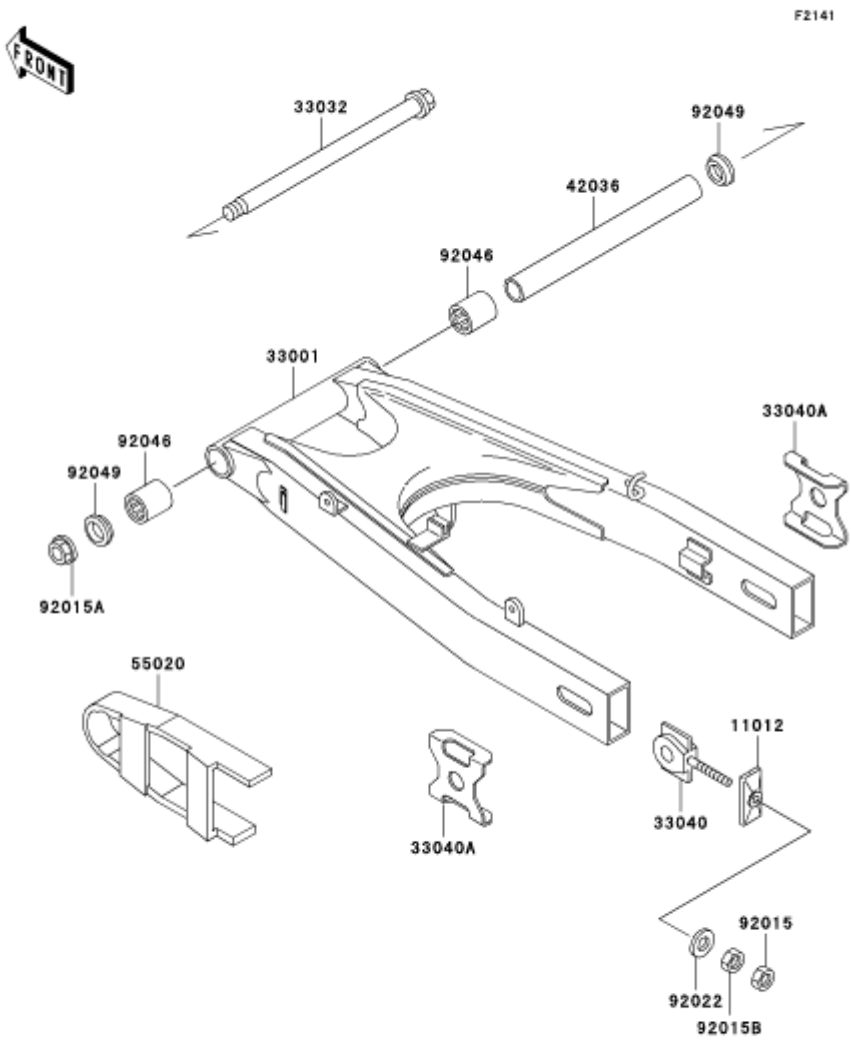
# STARTER MOTOR



## STARTER MOTOR (continued)

Ref #	Part #	Description	Qty	Spec Code
120	120P0816	BOLT-SOCKET	3	
130	130G0620	BOLT-FLANGED,6X20	2	
311	311B0600	NUT-HEX,6MM	2	
461	461F0600	WASHER-SPRING,6MM	2	
11012	11012-1354	CAP,TERMINAL	1	
12046	12046-1072	SPROCKET,ONEWAYCLUTCH,46T	1	
12053	12053-1214	GUIDE-CHAIN	1	
13193	13193-1060	CLUTCH-ASSY-ONEWAY	1	
21017	21017-017	GROMMET,STARTERTERMINAL	1	
21025	21025-011	WASHER,9.1X18X0.2	4	
21039	21039-1062	BRUSH,CARBON	1	
21040	21040-1057	SPRING-BRUSH	2	
21053	21053-1057	SPROCKET-ASSY	1	
21163	21163-1163	STARTER-ELECTRIC	1	
26006	26006-1006	FUSE,30A-G	1	
26011	26011-1650	WIRE-LEAD,STARTERMOTOR	1	
27010	27010-1213	SWITCH,MAGNETIC	1	
92002	92002-1086	BOLT,6X25	2	
92015	92015-1476	NUT,STARTERMOTOR	2	
92022	92022-1132	WASHER,9.1X18X0.8	1	
92026	92026-1285	SPACER,25.2X40X1.0	1	
92033	92033-034	RING-SNAP,17MM	1	
92043	92043-087	PIN	3	
92055	92055-1086	RING-O,64MM	1	
92055A	92055-1313	RING-O,42.8MM	1	
92055B	92055-1370	RING-O,4.5X2.0	1	
92055C	92055-1381	RING-O,STARTERMOTOR	1	
92057	92057-1197	CHAIN,STARTER,BF05MX64L	1	
92075	92075-1863	DAMPER,MAGNETICSWITCH	1	
92081	92081-110	SPRING	3	
92122	92122-004	ROLLER,15X13	3	
92150	92150-1138	BOLT,STARTERMOTOR	2	

# SWINGARM



## SWINGARM (continued)

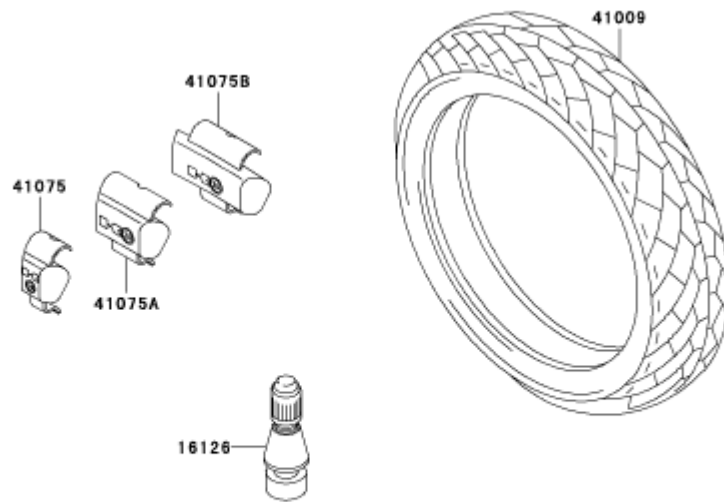
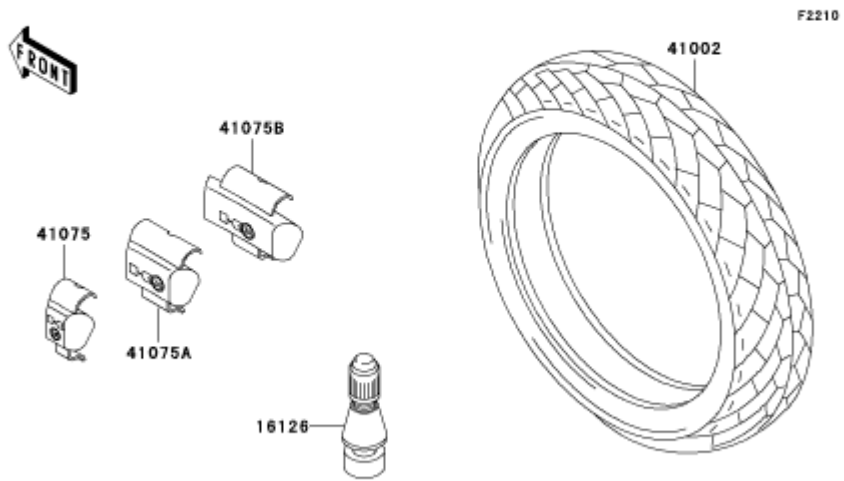
Ref #	Part #	Description	Qty	Spec Code
11012	11012-1871-10	CAP,CHAINADJUSTER,BLACK	2	
33001	33001-1444-10	ARM-COMP-SWING,BLACK	1	
33032	33032-1109	SHAFT-SWINGARM	1	
33040	33040-1116	ADJUSTER-CHAIN,INNER	2	
33040A	33040-1137-10	ADJUSTER-CHAIN,OUTER,BLACK	2	
42036	42036-1212	SLEEVE,14.1X22X220	1	
55020	55020-1500	GUARD,CHAIN	1	
92015	92015-1364	NUT,8MM	2	
92015A	92015-1407	NUT,14MM	1	
92015B	92015-1658	NUT,8MM	2	
92022	92022-1582	WASHER,8.5X16X1.2	2	
92046	92046-1162	BEARING-NEEDLE,F-2220	2	
92049	92049-1254	SEAL-OIL,MHA22285.7F	2	



## TAILLIGHT(S) (continued)

Ref #	Part #	Description	Qty	Spec Code
130	130H0625	BOLT-FLANGED,6X25	2	
130A	130J0612	BOLT-FLANGED	2	
220	220B0410	SCREW-PAN-CROS	2	
11009	11009-1372	GASKET,LICENSEPLATELAMP	1	
11045	11045-1387	BRACKET,LICENSE	1	
14090	14090-1487	COVER,LICENSELAMP	1	
23008	23008-1413	SOCKET-ASSY, TAILLAMP	1	
23016	23016-1131	LAMP-ASSY,LICENSEPLATE	1	
23025	23025-1219	LAMP-TAIL	1	
23026	23026-1054	LENS,LAMP	1	
23036	23036-1130	BRACKET-TAILLAMP	1	
92009	92009-1654	SCREW,5X16,BLACK	2	
92015	92015-1367	NUT,FLANGED,6MM	3	
92015A	92015-1710	NUT,5MM	2	
92022	92022-1521	WASHER,NYLON,5.3X11.5X1.5	2	
92022A	92022-1557	WASHER,6.5X20X1.6	3	
92027	92027-162	COLLAR,6.8X10X12	3	
92027A	92027-251	COLLAR,L=13.1	2	
92069	92069-059	BULB,12V27/8W	2	
92069B	92069-1012	BULB,12V8W	1	
92150	92150-1133	BOLT,6X14	2	
92160	92160-1162	DAMPER	5	

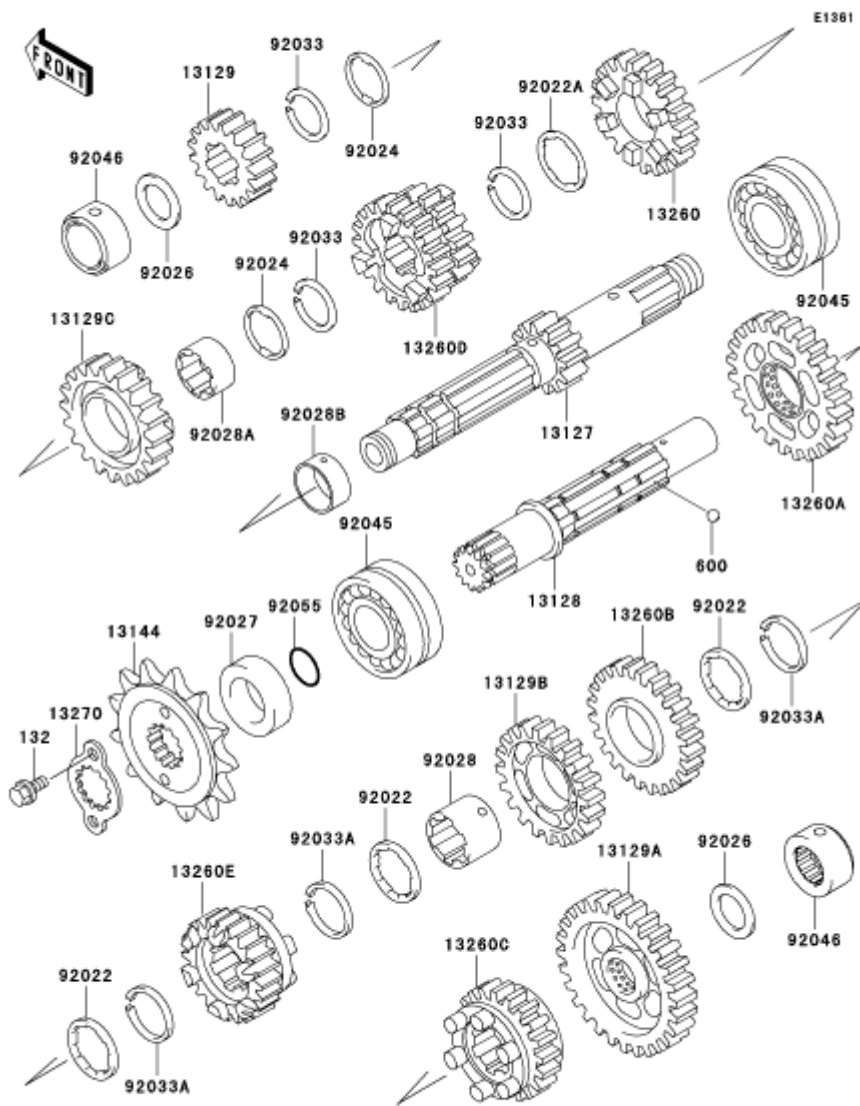
# TIRES



## TIRES (continued)

Ref #	Part #	Description	Qty	Spec Code
16126	16126-1140	VALVE,TIRE	2	
41002	41002-1981	TIRE,FR,110/70-1754H,G549(BS)	1	
41009	41009-1325	TIRE,RR,130/70-1762H,G550(BS)	1	
41075	41075-1014	BALANCER-WHEEL,10G,SILVER	AR	
41075A	41075-1015	BALANCER-WHEEL,20G,SILVER	AR	
41075B	41075-1016	BALANCER-WHEEL,30G,SILVER	AR	

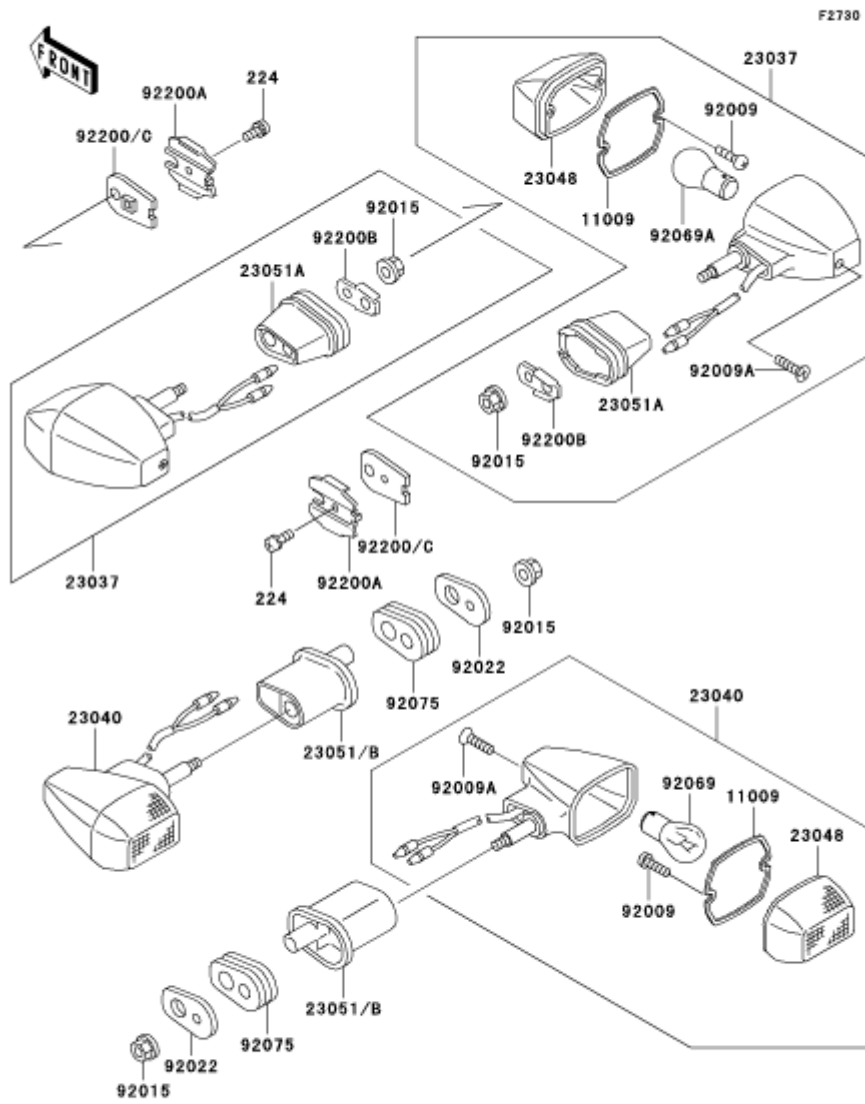
# TRANSMISSION



## TRANSMISSION (continued)

Ref #	Part #	Description	Qty	Spec Code
132	132G0608	BOLT-FLANGED-SMALL	2	
600	600A0500	BALL-STEEL,5/32"	3	
13127	13127-1148	SHAFT-TRANSMISSIONINPUT,14T	1	
13128	13128-1143	SHAFT-TRANSMISSIONOUTPUT	1	
13129	13129-1077	GEAR,INPUT2ND,18T	1	
13129A	13129-1564	GEAR,OUTPUTLOW,36T	1	
13129B	13129-1660	GEAR,OUTPUT4TH,27T	1	
13129C	13129-1859	GEAR,INPUTTOP,27T	1	
13144	13144-1269	SPROCKET-OUTPUT,16T	1	
13260	13260-1203	GEAR,INPUT5TH,26T	1	
13260A	13260-1332	GEAR,OUTPUT2ND,32T	1	
13260B	13260-1387	GEAR,OUTPUT3RD,29T	1	
13260C	13260-1388	GEAR,OUTPUT5TH,25T	1	
13260D	13260-1508	GEAR,INPUT3RD&am4TH,21T&am24T	1	
13260E	13260-1585	GEAR,OUTPUTTOP,23T	1	
13270	13270-1060	PLATE,SPROCKET	1	
92022	92022-1139	WASHER,TOOTHED,28.3X33.5X1	3	
92022A	92022-1861	WASHER,TOOTHED,25.3X31.8X1.6	1	
92024	92024-033	WASHER,TOOTHED,25.5X32X1	2	
92026	92026-1022	SPACER,20.3X30X2.0	2	
92027	92027-1857	COLLAR,25X40X12	1	
92028	92028-1364	BUSHING,OUTPUT3RD&am4THGEAR	1	
92028A	92028-1552	BUSHING,INPUTTOPGEAR	1	
92028B	92028-1639	BUSHING	1	
92033	92033-026	RING-SNAP,24MM	3	
92033A	92033-1037	RING-SNAP,T=1.2	3	
92045	92045-035	BEARING-BALL,83993SH2-CS	2	
92046	92046-1161	BEARING-NEEDLE,NKZ20X34X17	2	
92055	92055-035	RING-O	1	

# TURN SIGNALS

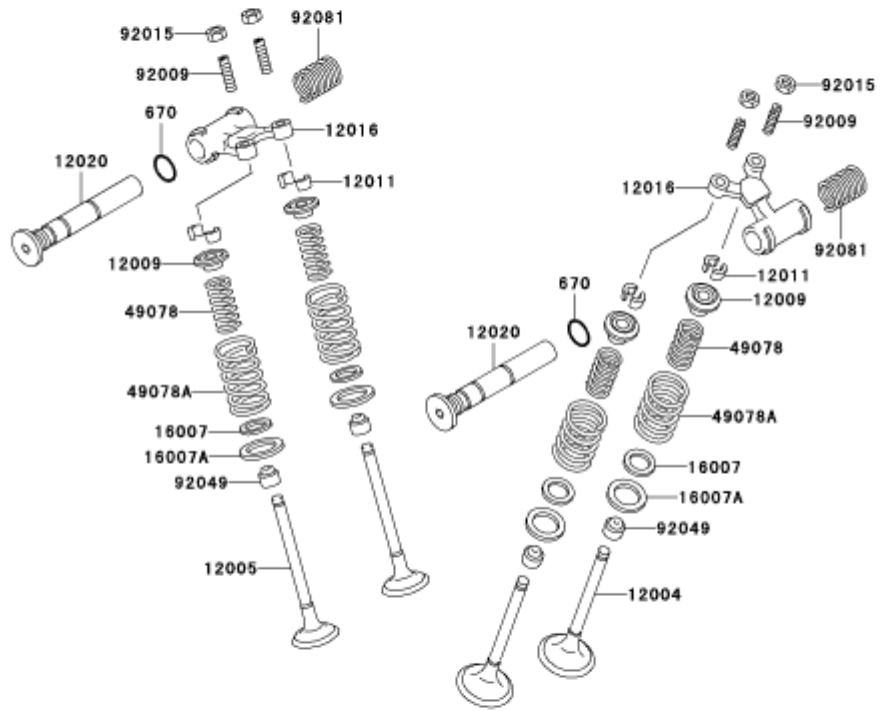


## TURN SIGNALS (continued)

Ref #	Part #	Description	Qty	Spec Code
224	224C0408	SCREW-PAN-WP-CROS,4X8	2	
11009	11009-1402	GASKET,SIGNALLAMP	4	
23037	23037-1299	LAMP-ASSY-SIGNAL,FR	2	
23040	23040-1195	LAMP-SIGNAL,RR	2	
23048	23048-1054	LENS-SIGNALLAMP	4	
23051	23051-1164	BRACKET-SIGNALLAMP	2	
23051A	23051-1207	BRACKET-SIGNALLAMP,FR	2	
92009	92009-1115	SCREW,TAPPING,3X16	8	
92009A	92009-1304	SCREW,TAPPING,4X20	4	
92015	92015-1367	NUT,FLANGED,6MM	4	
92022	92022-1672	WASHER,SIGNALLAMP	2	
92069	92069-055	BULB,12V32CP(23W)	2	
92069A	92069-060	BULB,12V32/3CP(23/8W)	2	
92075	92075-1698	DAMPER,SIGNALLAMP	2	
92200	92200-1015	WASHER,SIGNALLAMP	2	
92200A	92200-1016	WASHER,SIGNALLAMP	2	
92200B	92200-1021	WASHER	2	

# VALVE(S)

E1210

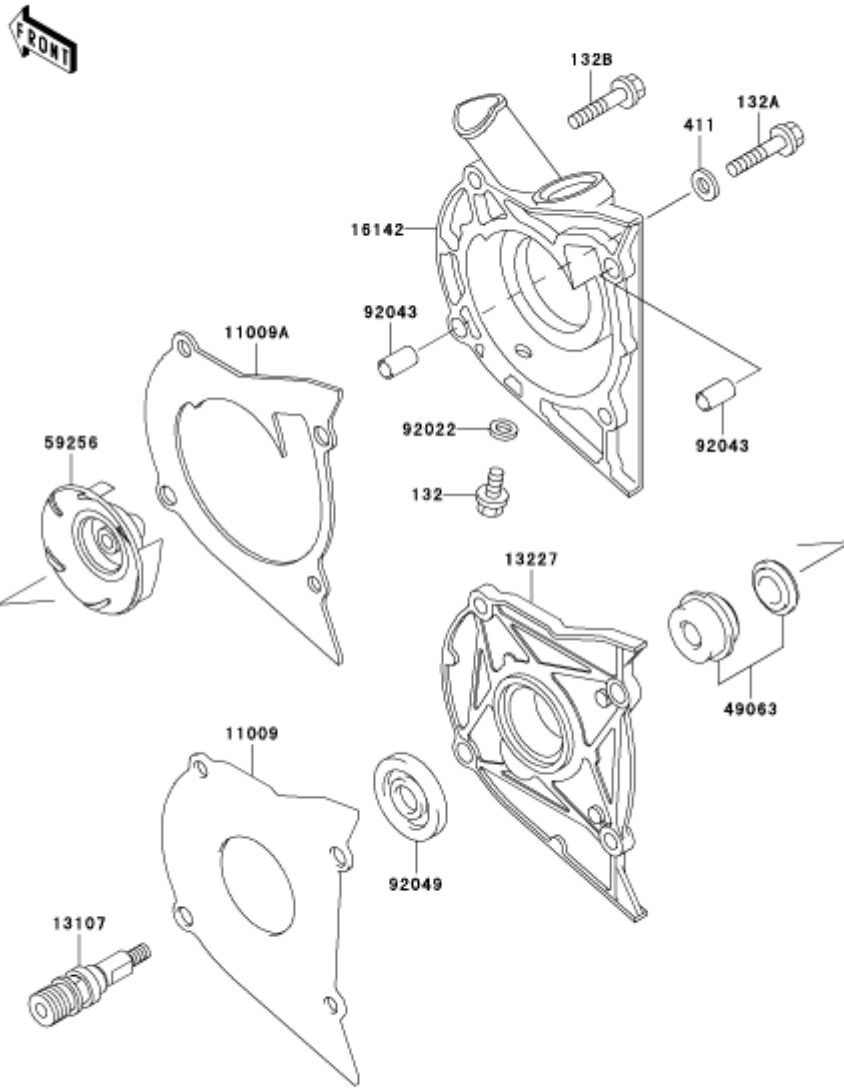


## VALVE(S) (continued)

Ref #	Part #	Description	Qty	Spec Code
670	670D2016	ORING,16MM	4	
12004	12004-1119	VALVE-INTAKE	4	
12005	12005-1052	VALVE-EXHAUST	4	
12009	12009-1054	RETAINER-VALVESPRING	8	
12011	12011-1003	COLLET	16	
12016	12016-1118	ARM-ROCKER	4	
12020	12020-1057	SHAFT-ROCKER	4	
16007	16007-1177	SEAT-SPRING,12.1X16.2X0.5	8	
16007A	16007-1178	SEAT-SPRING,17.5X23.8X0.5	8	
49078	49078-1051	SPRING-ENGINEVALVE,INNER	8	
49078A	49078-1052	SPRING-ENGINEVALVE,OUTER	8	
92009	92009-1279	SCREW,7MM	8	
92015	92015-1325	NUT,7MM	8	
92049	92049-1062	SEAL-OIL,RVC2-5.5X8.5X8.3	8	
92081	92081-1636	SPRING,ROCKERARM	4	

# WATER PUMP

E3031



## WATER PUMP (continued)

Ref #	Part #	Description	Qty	Spec Code
132	132J0612	BOLT-FLANGED-SMALL	1	
132A	132J0630	BOLT-FLANGED-SMALL	1	
132B	132J0635	BOLT-FLANGED-SMALL	3	
411	411F0600	WASHER-PLAIN,6MM,BLACK	1	
11009	11009-1838	GASKET,PUMPHOUSING	1	
11009A	11009-1839	GASKET,PUMPCOVER	1	
13107	13107-1203	SHAFT,IMPELLER	1	
13227	13227-1064	HOUSING,WATERPUMP	1	
16142	16142-1073	COVER-PUMP	1	
49063	49063-1054	SEAL-MECHANICAL	1	
59256	59256-1060	IMPELLER	1	
92022	92022-304	WASHER,6.2X11X1	1	
92043	92043-1263	PIN,6.2X8X14	2	
92049	92049-1215	SEAL-OIL,SC12365	1	